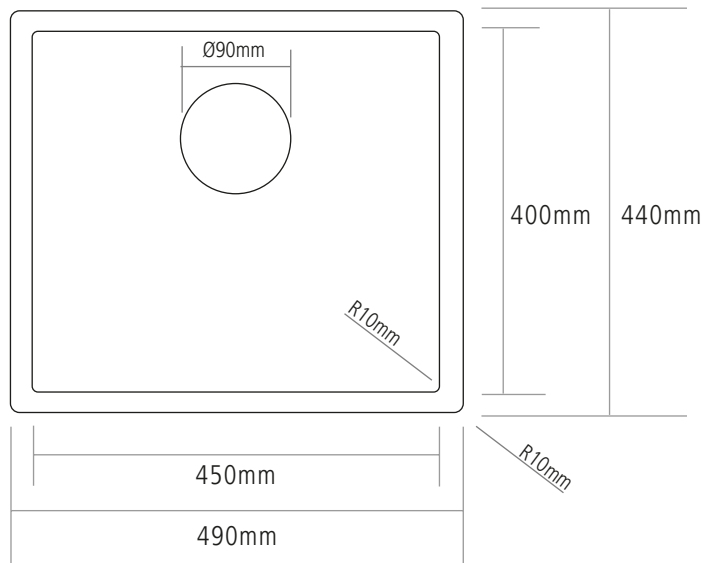


# DIMENSIONS

---



**DRAINER DEPTH:** 25MM

**MIN. BASE UNIT:** 500MM

**INSET CUT-OUT SIZE:** 424 X 474MM

---

NOTE: For cut-out shape go to [www.caple.co.uk](http://www.caple.co.uk) for template