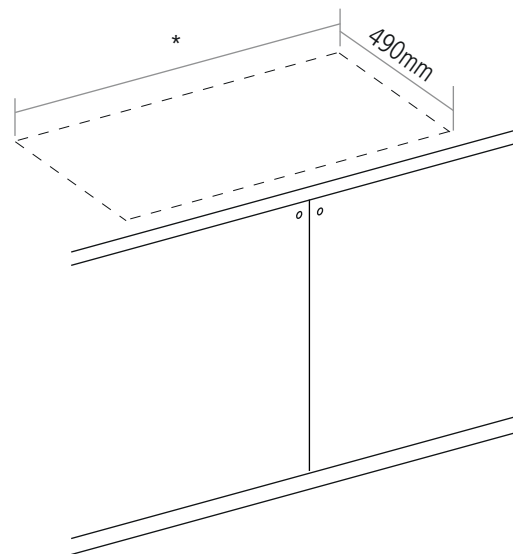
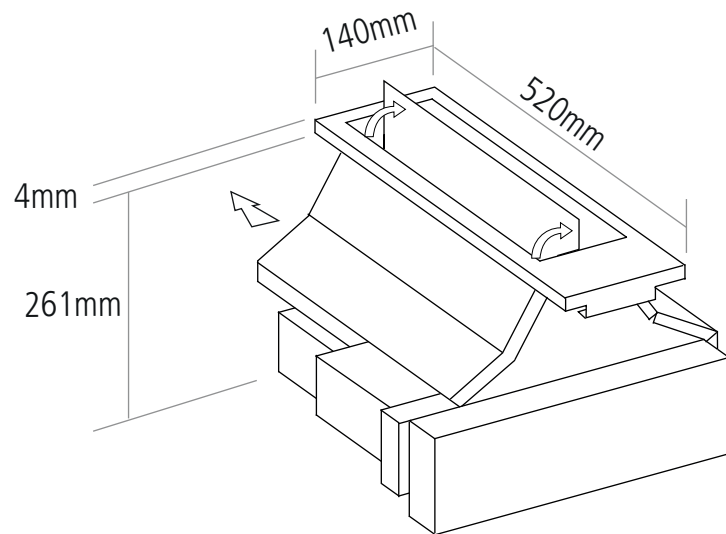


DIMENSIONS



*Dimension depends on the size of the hob