



Downdraft Hood Instruction Manual

DD523BK



CONTENTS

Safety Instructions	3
Safety Instructions and Warnings	4
Description of the Appliance	8
Installation	9
Charcoal Filter Maintenance	15
Electrical Connection	16
Operating the Downdraft Extractor	18
Cleaning the Extractor	20
Troubleshooting	21
Aftersales Service	22
Caple Contact Details	24

INTRODUCTION

Thank you for choosing this Caple downdraft extractor.

To ensure that you get the best results from your new downdraft extractor, we strongly suggest that you read this instruction manual thoroughly before use. If treated with care, your Caple product should give you years of trouble-free use.

To register ownership, please ensure you complete and return the guarantee card supplied with the appliance or visit www.caple.co.uk and register here.

This instruction manual is designed to provide you with all the required information related to the installation, use and maintenance of the appliance.

This downdraft extractor is designed to extract unpleasant odours and cooking vapours from the kitchen. In order to operate the unit correctly and safely, please read this instruction manual carefully before installation and use.

Please read this manual carefully before using your appliance. It contains important safety advice; it explains how to use and look after your appliance so that it will provide you with many years of reliable service.

Should a fault arise, please first consult the "Troubleshooting" section. You can often rectify minor problems yourself, thus saving unnecessary service costs.

Please keep this manual in a safe place and pass it on to new owners for their information and safety.

SAFETY INSTRUCTIONS AND WARNINGS:

These hoods have been designed for personal use in the home. The appliance must be used by adults. Make sure that the appliance is out of reach of children and that they do not use it to play with. Make sure that children do not operate the controls.

- When the appliance is delivered, check the overall appearance of the packaging.
- Any remarks should be written on the delivery note, of which you keep a copy. Your appliance is designed for normal domestic use. It is not designed for commercial or industrial use, or for purposes other than those for which it was designed.
- Any consequences of or damage from incorrect installation or incorrect use of the appliance will not be covered by the manufacturer's guarantee.
- Do not ever change or try to change the characteristics of this appliance. This would be a danger. Repairs must be performed only by a Caple approved engineer.
- Always disconnect the hood before carrying out cleaning or maintenance operations.
- Adequately ventilate the room when a cooker hood and other appliances, powered by energy other than electricity, are used simultaneously, so that the hood does not suck any-combustion fumes.

- Do not cook food over open flames (flambé) or operate gas hobs without pots or pans on them while using the hood (the flames may get sucked into the hood causing damage to the appliance).
- Frying under the appliance must be done under constant supervision as hot oils and fats may ignite.
- Respect the guidelines for cleaning and replacement of grease filters. Accumulated deposits of grease are a fire hazard.
- This appliance must not be used near hobs powered by wood or coal or in any case, near hobs with power levels that could damage the appliance.
- Never use steam or high pressure devices for cleaning your hood (regulations regarding electrical safety).
- Never use the cooker hood without the grease filters fitted.
- This appliance is intended to be used in household and similar applications such as:
 - › Staff kitchen areas in shops, offices and other working environments.
 - › Farm Houses.
 - › By clients in hotels, motels and other residential type environments.
 - › Bed and breakfast type environments.

We are constantly seeking to improve our products, we reserve the right to modify their technical, functional, or aesthetic characteristics deriving from their upgrading.

In the event a downdraft is installed with an external motor, for normal downdraft operation, it is necessary to use an external motor made by the same manufacturer.

The air collected must not be conveyed into a flue used for smoke or fumes from appliances powered by anything other than electricity (central heating systems, etc.). As far as discharging exhaust air is concerned, please follow the guidelines given by competent authorities.

There must be a minimum space of 50mm between the edge of a gas hob and the downdraft frame.



ENVIRONMENTAL PROTECTION

Waste electrical products should not be disposed of with household waste. Please recycle where facilities exist. Check with your Local Authority or retailer for recycling advice. This appliance is marked according to the European directive on Waste Electrical and Electronic Equipment (WEEE).

By ensuring this product is disposed of correctly, you will help prevent potential negative consequences for the environment and human health, which could otherwise be caused by inappropriate waste handling of this product. The symbol on the product indicates that this product may not be treated as household waste. Instead it shall be handed over to the applicable collection point for the recycling of electrical and electronic equipment. Disposal must be carried out in accordance with local environmental regulations for waste disposal.

For more detailed information about treatment, recovery and recycling of this product, please contact your local council, your household waste disposal service or the retailer where you purchased the product.

WARRANTY

Your new appliance is covered by warranty. The warranty card is enclosed - if it is missing, you must provide the following information to your retailer in order to receive a replacement: date of purchase, model and serial number. Registration can also be completed online by visiting www.caple.co.uk.

Ensure you keep your warranty card safe, you may need to show it to Caple Service together with proof of purchase. If you fail to show your warranty card you will incur all repair charges.

Spare parts are only available from Caple Service and spare parts authorised centres.

CE DECLARATIONS OF CONFORMITY



This appliance has been manufactured to the strictest standards and complies with all applicable legislation, Low Voltage Directive (LVD) and Electromagnetic Compatibility (EMC).

UKCA DECLARATIONS OF CONFORMITY

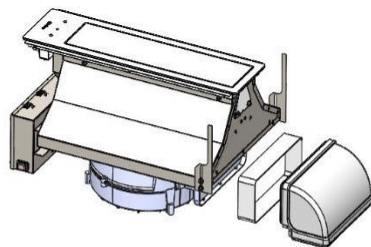
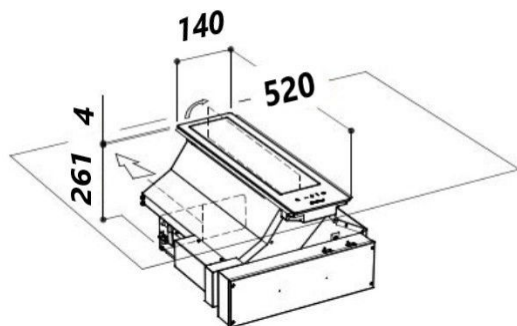


This appliance has been manufactured to the strictest standards and complies with all applicable legislation.

TECHNICAL FICHE

This appliance conforms to all current and applicable energy regulations. To view the Technical Fiche that supports the energy labelling data, please visit the product page on our website www.caple.co.uk.

DESCRIPTION OF THE APPLIANCE



Connection piece and Vertical
90° elbow supplied

INSTALLATION

Before carrying out the appliance installation, please check that all components are not damaged, in such a case contact your retailer and do not carry out any installation operation. Furthermore, please read carefully all of the following installation instructions.

- › Use ducting that does not exceed 5 metres in length.
- › Limit the number of elbows in the ducting, since each elbow reduces the air capacity of 1 linear metre. (eg. if you use no. 2 x 90° elbows, the length of ducting should not exceed 3 metres).
- › Avoid abrupt direction changes.
- › Use a 150mm constant diameter rigid ducting pipe for the whole length.
- › Use ducting approved by standards in force.

The manufacturer shall not be deemed responsible for air capacity or noise problems caused by failure to comply with the above instructions and no warranty on the product shall be provided.

1. Before making the cut-out check that there are no structural or other parts inside the cabinet, where the appliance is to be placed, which could hinder a proper installation. Check that the dimensions of the Downdraft and the ones of hob are compatible with the cabinet so that the installation can be carried out properly.

2. The downdraft is to be installed with a hob on each side. Two angles come fitted to the hood to support the hobs (Fig.1). If these are not needed, they can be removed by removing the screws (Fig.2).

Make a rectangular opening with the dimensions 490mm x A (Fig.3A). Dimension 'A' changes depending on the size of the hob.

3. Fit the product in the opening, by inserting it from above as shown Fig.4.

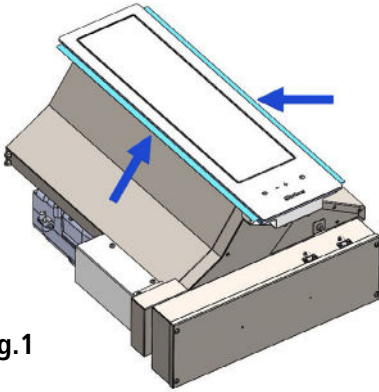


Fig.1

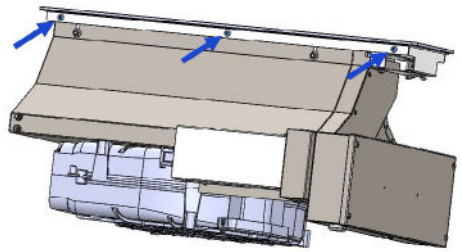


Fig. 2

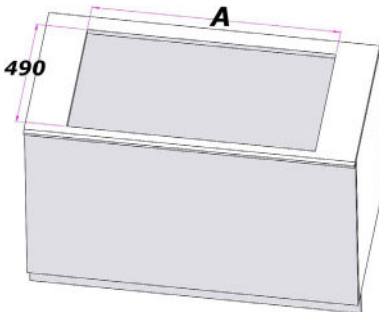


Fig. 3

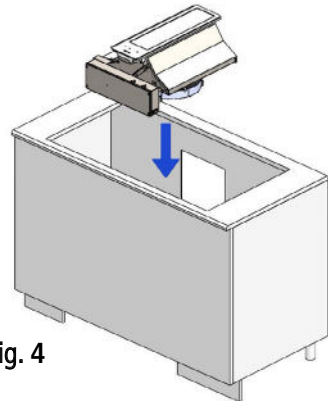


Fig. 4

- Secure the product inside the furniture by using the specific brackets provided.

Proceed to install the brackets in the sides of the product, in the specific hooks (Fig. 5-6) Mount the rear brackets on both sides of the product, lift them up until they touch the support cabinet and then tighten the nuts "H" (Fig.5).

Then fix the front bracket, bringing it to touch the cabinet by tightening the screws "I" as shown in Fig.6.

Be careful to secure the screws "I" gently, by hand and without using electric screwdrivers, otherwise you could damage the product.

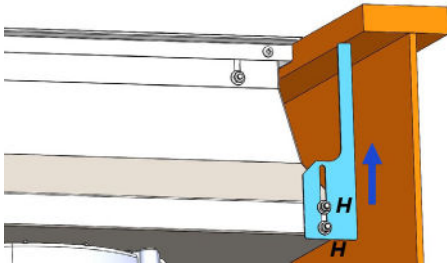


Fig. 5

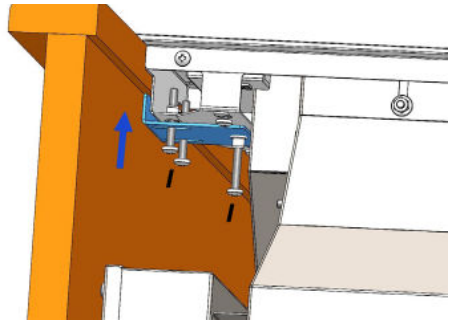


Fig. 6

- Install the ducting connection pieces supplied with the downdraft (shown in Fig.7). Additional ducting will need to be purchased separately depending on your chosen installation type.

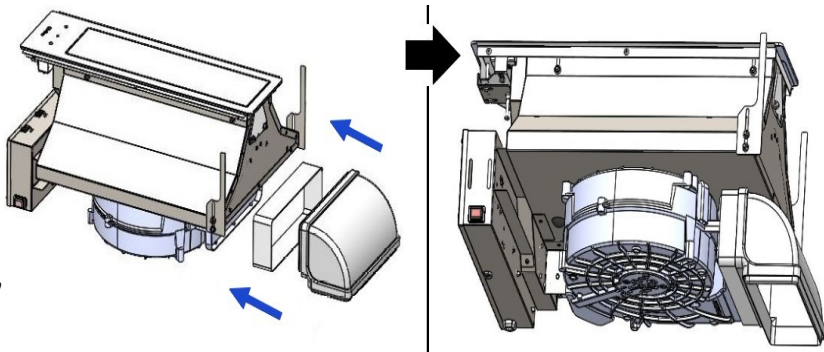



Fig. 7

6. Connect the downdraft to the power supply and check that the red button is pushed down fully.
7. Turn on the downdraft (pressing the power  button) and the top panel will open. Install the grease filters as shown in Fig.8.

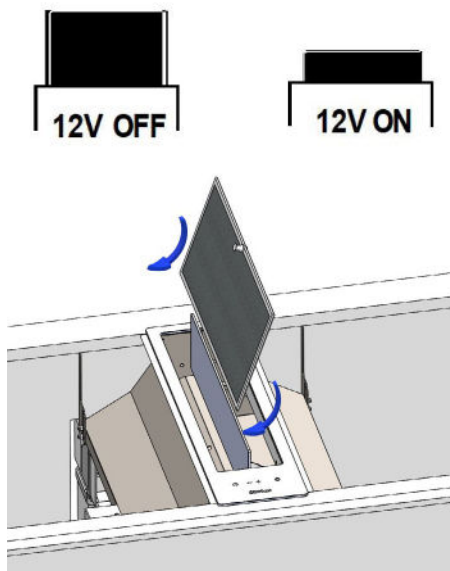


Fig.8

This appliance is intended to extract cooking fumes, greases and vapours. It has been designed to work in either ventilation mode or in recirculation mode.

The minimum distance between the downdraft (closed) and the surface above it must be at least 400mm. It is the manufacturer of the hob who determines the clearance required and the clearance quoted by the hob manufacturer must be followed.

In the absence of any instructions supplied with a gas hob, there must be a minimum space of 50mm between the edge of a gas hob and the downdraft frame.

CAUTION:

Installation must comply with the regulations in force regarding the ventilation of enclosed environments. The use of discontinued ducts is not allowed without the approval of a qualified technician.

EXTERNALLY VENTED MODE

The downdraft can be installed in this mode with outside discharge of extracted air: in this case it is necessary to connect the ducting channel to the outside wall (ducting pipes are not supplied with this product).

RECIRCULATION MODE

In case fumes and vapours cannot be extracted outside, the appliance can be used in recirculation mode. If recirculating your appliance, the Charcoal Filter Recirculation Kit (CAP87CF) can be purchased.

Recirculation Kit CAP87CF includes the components shown in Fig.9.

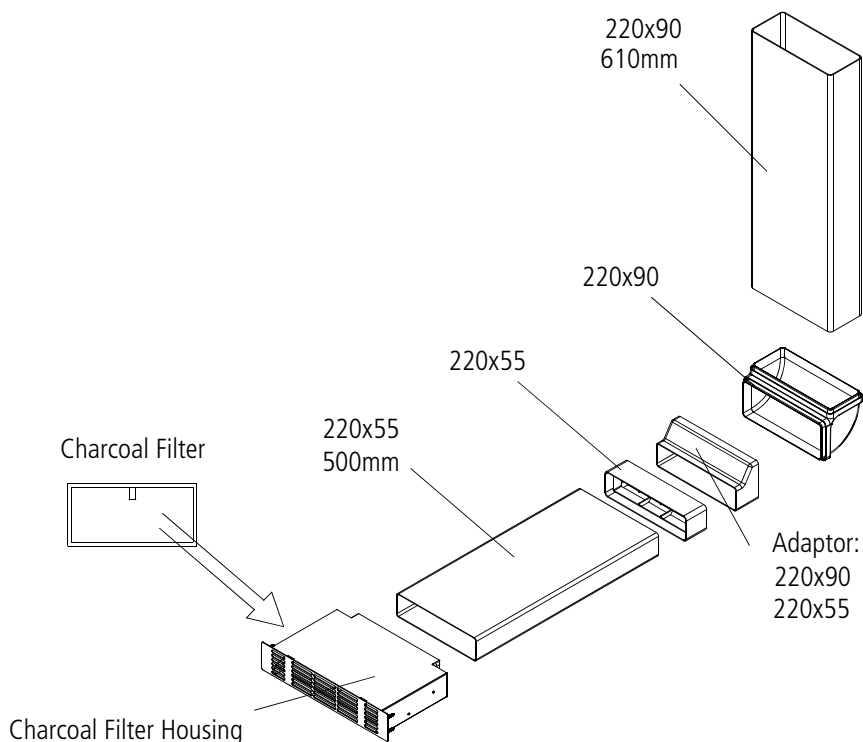


Fig.9

Line up and assemble the parts of the recirculation kit as shown in Fig.9.

Connect the vertical flat channel of the recirculation kit to the vertical 90° elbow already fitted to the DD523BK.

The Charcoal Filter housing box should be connected to the outside of the furniture housing/plinth (Fig.10). Make sure to install this box the right way. An arrow on the front demonstrates this (Fig.11).

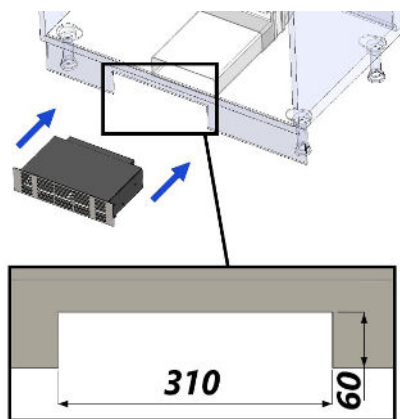


Fig.10

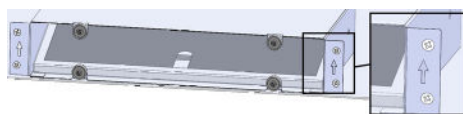


Fig.11

CHARCOAL FILTER MAINTENANCE

Accurate maintenance guarantees good functioning and long-lasting performance.

The charcoal filter can be regenerated by washing in a dishwasher and then placing in the oven for 1 hour at 90°C (maximum). It is recommended to wash the filter alone, without any other dishes.

To guarantee the highest performance of the charcoal filter, it is advised to wash the charcoal filter regularly, and at least once every two months.

We recommend you replace your charcoal filter after 2 years of use (this is based on ordinary use of the cooker hood/medium speed operation).

The lifetime of the charcoal filter is approximate, since the performance of the filter is influenced by several factors:

Type and concentration of polluting substances

Speed / operation rate of the cooker hood

These factors may significantly alter the performance of the charcoal filter even after its regeneration and may mean you decide to replace your filter sooner.

Replacement filter (CAP88CF) can be purchased from www.caple.co.uk or via our national sales office tel: 0117 938 1900.

HOW TO REMOVE THE CHAROICAL FILTER

To remove the charcoal filter, remove the metal cover from the charcoal filter housing (Fig.12) and then remove the filter. Replace the filter and fit by following these steps in reverse.

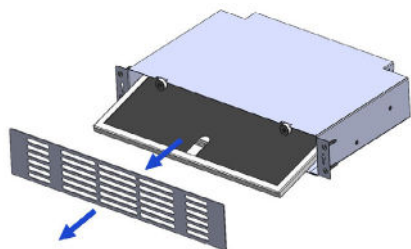


Fig.12

ELECTRICAL CONNECTION

WARNING

Place the metal box containing the electronic components at a distance of no less than 65cm from the hobs or in any case, 65cm from the suctioning surface of the cooker hood.

NOTE

We recommend installing the metal box containing the electronic components at least 10cm above floor level and at a suitable distance from all heat sources (e.g. ovens or hobs).

CAUTION

This appliance is fitted with an H05 VVF 3 conductor, 0.75 mm² (neutral, phase, and ground) power cord. This can be connected up to a 220 - 240V monophase electrical network through a CEI 60083 approved power socket, which must remain accessible after installation, in compliance with installation regulations.

We decline any responsibility in case of accidents caused by a lack of ground connection or incorrect ground connection. The appliance must be fed through a differential protection device (RCD), with a nominal residual current not exceeding 30mA. If the power cord is damaged, call Caple Service to avoid any risk.

WARNING

The downdraft connection to the electrical network must be carried out only by professional and qualified technicians. The downdraft must be connected to a properly installed and suitable electrical network. The electrical system must comply with VDE0100 standard.

DANGER

If the cooker hood presents any anomaly, disconnect the appliance or remove the fuse corresponding to the appliance power disconnecting line.

If the appliance has no plug or if the plug is not easily accessible, then a device needs to be fitted to cut it off from the electric network; this device must have an opening distance between contacts on all poles of at least 3mm.

ELECTRICAL CONNECTION

While installing the appliance and carrying maintenance operation, make sure it is disconnected from the electrical network or the fuses are cut out or removed.

Check that:

- › There is enough power.
- › Feeder lines (mains) are in good condition.
- › The cable diameter complies with installation regulations.

OPERATING THE DOWNDRAFT EXTRACTOR



A

B

C

D

E

A - TIMER

Press to activate a 10 minute timer, after which the motor is turned off and the top panel is closed. The setting of this function is signaled by the flashing of the speed indicators.

D - DECREASE SPEED

Press to decrease the speed of the motor.

C - INCREASE SPEED

Press to increase the speed of the motor.

D - MOTOR SPEED INDICATORS

The 4 LEDs emit a red light, depending on the set speed.

- › First speed: 1 LED On
- › Second speed: 2 LEDs On
- › Third speed: 3 LEDs On
- › Fourth speed: 4 LEDs On

E - POWER

When the product is switched off, the first touch starts to open the top panel. Once it is fully open to 90° the second speed of extraction is automatically set. Pressing the button further will stop the motor and close the top panel.

TIMING

- › This product is equipped with intelligent electronics which include a timer device for speed controls when the air capacity exceeds 650m³/h. Internal motor models, with maximum air capacity higher than 650m³/h, are equipped with a timer device that automatically switches the speed from 4th to 3rd speed, after 6 minutes operation.
- › External motor models are equipped with remote motors that, as for internal motor versions, include a timer device that switches down the speed when it exceeds 650 m³/h.(See External Motors Instructions). Remote motors, whose air capacity exceeds 650m³/h at both 4th and 3rd speed, will have the following by default timer control functions: The speed is automatically switched from 4th to 2nd speed, after 6 minutes operation.
- › If the appliance is working at 3rd speed, it is automatically switched to 2nd speed, after 7 minutes operation. Operation speeds can also be changed during operation. The energy consumption of the appliance in standby mode is lower than 0.5W.

OTHER FUNCTIONS:

AUTOMATIC TURN OFF

After 4 hours of continuous operation from the last setup, the appliance turns off automatically.

GREASE FILTER SATURATION


After 30 hours of operation, the speed indicators  will all flash simultaneously, signalling the grease filters saturation. To reset this alarm, hold the "TIMER" button down for at least 3 seconds, while the top panel is open.

CLEANING THE EXTRACTOR

Careful maintenance ensures the correct operation and optimal performance.

CAUTION:

The downdraft must be disconnected from the electrical network, both by unplugging the appliance from the socket and activating the magnetic circuit breaker (safety cut-out), before removing the metal grease filters. After cleaning operations, replace the metal grease filters as outlined in the installation instructions.

MAINTENANCE	HOW TO PROCEED?	ACCESSORY PRODUCTS TO USE
Cleaning external surfaces and accessories	Do not use metallic scrubbers, abrasive products, or hard brushes.	To clean the external surfaces of the downdraft and the light housing screen use only commercially available household detergents diluted in water. Then rinse with clean water and dry with a soft cloth.
Grease filters	After 30 hours of operation, the downdraft will signal the grease filter saturation. Saturation is indicated by the flashing RED colour LED speed indicator, when the cooker hood is off. To reset, hold down the  timer button for at least 3 seconds, while the carriage is open.	The grease filters can be washed by hand or in the dishwasher. These filters need to be cleaned on a regular basis, because otherwise they may represent a fire risk. Refit the grease filters and front panel, making sure that they are properly fitted at the sides so that it does not cause the downdraft to stop operating.
Active charcoal filter	In the recirculation mode, the active charcoal filter must be replaced periodically. To remove the charcoal filter see 'CHARCOAL FILTER MAINTENANCE'	

LIQUID INSIDE PRODUCT

If there is liquid inside the product, it is possible to remove it by removing the caps located under the hood housing (Fig.13).

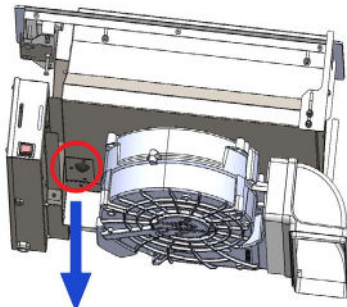


Fig.13

TROUBLESHOOTING

PROBLEM	SOLUTION
The downdraft does not work	Check that: <ul style="list-style-type: none">» There is not a power outage.» A specific speed has actually been selected.» The red reset key, found over the electrical system box, is pushed.
The downdraft has low performance	Check that: <ul style="list-style-type: none">» The motor speed selected is sufficient for the quantity of fumes and vapours present in the room.» The kitchen is ventilated well enough to allow air for intake.» The charcoal filter is not worn out. (Recirculation mode only).» The air outlet channel is free and compliant with paragraph no.2.» The non-return valves of the suctioning unit are free to rotate.
The downdraft stops in the middle of operation.	Check that: <ul style="list-style-type: none">» There is not a power outage.» The omnipolar device has not tripped.

AFTER SALES SERVICE

Any maintenance operation on your appliance should be carried out by:

- › Either your retailer;
- › A Caple approved engineer, or similarly qualified personnel.

If a problem still persists and further assistance is required, please contact our Caple after sales team on:

T - 0117 938 7420

E - service@caple.co.uk



Caple Service T: 0117 938 1900
Fourth Way E: service@caple.co.uk
Avonmouth www.caple.co.uk
Bristol
BS11 8DW