



Fully Integrated
In-Column Wine Cabinet
Instruction Manual

WC6130



Contact Cable on 0117 938 7420 for spare parts or www.cable.co.uk

CONTENTS

Introduction	3
Safety Instructions	4
Environmental Protection	8
Installation	9
Control Panel	11
Settings	13
Sabbath Mode	16
Demo Mode	17
Using the Shelves	18
How To Replace The Charcoal Filter	19
How To Change The Door Opening	20
Wine Bottle Stacking	21
Installation Dimensions	22
Installing the side gaskets	23
Installing The Fixings Brackets	24
Installing The Furniture Door	25
Care and Maintenance	30
Troubleshooting	32
Recommended Temperatures	35
Caple Contact Details	36

INTRODUCTION

Thank you for choosing this Caple wine cabinet.

To ensure that you get the best results from your new wine cabinet, we strongly suggest that you read this instruction manual thoroughly before use. If treated with care, your Caple product should give you years of trouble-free use.

To register ownership, please ensure you complete and return the guarantee card supplied with the appliance or visit **www.caple.co.uk** and register here.

This instruction manual is designed to provide you with all the required information related to the installation, use and maintenance of the appliance.

Please read this manual carefully before using your appliance. It contains important safety advice; it explains how to use and look after your appliance so that it will provide you with many years of reliable service.

Should a fault arise, please first consult the “Troubleshooting” section. You can often rectify minor problems yourself, thus saving unnecessary service costs.

Please keep this manual in a safe place and pass it on to new owners for their information and safety.

WARNINGS

- To prevent damaging the door gasket, make sure the door is fully open when pulling shelves out of the rail compartment.
- The appliance must be positioned so that the plug is accessible. Release the electric cord and move your cabinet to its final location. Do not move your cabinet while loaded with wine as you may distort the body.
- The wine cabinet should be installed in a suitable place in order to avoid touching the compressor.
- After unpacking, make sure that the appliance is in perfect order. If you have any doubt, do not use it and contact your retailer.
- If the supply cord is damaged, it must be replaced by a Caple service agent or a similarly qualified person in order to avoid a hazard.
- This product is not designed for commercial use, it is a household appliance only.
- This appliance is intended to be used exclusively for the storage of wine.

IMPORTANT

Caple cannot be held liable for any non compliance with these instructions.

ELECTRICAL SHOCK HAZARD

- Read all instructions before using the wine cabinet.
- **DANGER** or **WARNING**: Risk of child entrapment.
- Before you throw away your old wine cabinet: Take off the door, leaving the shelves in place so that children cannot easily climb inside.
- Never allow children to operate, play with, or crawl inside the appliance.
- Never clean appliance parts with flammable fluids. The fumes can create a fire hazard or explosion.
- Do not store or use gasoline or any other flammable vapours and liquids in the vicinity of this or any other appliance. The fumes can create a fire hazard or explosion.
- The refrigerant of this appliance is R600a, flammable and explosive articles should not be put in or near the cabinet, to avoid the risk of fire or explosion.
- Cleaning and user maintenance shall not be made by children without supervision.
- When positioning the appliance, ensure the supply cord is not trapped or damaged.

- This appliance can be used by children aged from 8 years and above and persons with reduced physical, sensory or mental capabilities or lack of experience and knowledge if they have been given supervision or instruction concerning use of the appliance in a safe way and understand the hazards involved. Children shall not play with the appliance.
- Do not locate multiple portable socket-outlets or portable power supplies at the rear of the appliance.
- Do not use plug adapter.
- Store wine in sealed bottles.
- Do not overload the cabinet.
- Do not open the door unless necessary.
- Do not cover shelves with aluminium foil or any other shelf material which may prevent air circulation.
- Should the wine cabinet be stored without use for long periods it is suggested, after careful cleaning, to leave the door ajar to allow air to circulate inside the cabinet in order to avoid possible formations of condensation, mould or odours.
- Keep ventilation openings, in the appliance enclosure or in the built-in structure, clear of obstruction.
- Do not damage the refrigerant circuit.
- Do not use electrical appliances inside the storage compartments of the appliance, unless they are the type recommended by the manufacturer.

APPROPRIATE USE:

- This appliance is intended to be used in household and similar applications such as:
 - › Staff kitchen areas in shops, offices and other working environments.
 - › Farm Houses.
 - › By clients in hotels, motels and other residential type environments.
 - › Bed and breakfast type environments.



Symbol ISO 7010 W021

Warning; Risk of fire / flammable materials



ENVIRONMENTAL PROTECTION

Waste electrical products should not be disposed of with household waste. Please recycle where facilities exist. Check with your Local Authority or retailer for recycling advice. This appliance is marked according to the European directive on Waste Electrical and Electronic Equipment (WEEE).

By ensuring this product is disposed of correctly, you will help prevent potential negative consequences for the environment and human health, which could otherwise be caused by inappropriate waste handling of this product. The symbol on the product indicates that this product may not be treated as household waste. Instead it shall be handed over to the applicable collection point for the recycling of electrical and electronic equipment. Disposal must be carried out in accordance with local environmental regulations for waste disposal.

For more detailed information about treatment, recovery and recycling of this product, please contact your local council, your household waste disposal service or the retailer where you purchased the product.

WARRANTY

Your new appliance is covered by warranty. The warranty card is enclosed - if it is missing, you must provide the following information to your retailer in order to receive a replacement: date of purchase, model and serial number. Registration can also be completed online by visiting www.caple.co.uk.

Ensure you keep your warranty card safe, you may need to show it to Caple Service together with proof of purchase. If you fail to show your warranty card you will incur all repair charges.

Spare parts are only available from Caple Service and spare parts authorised centres.

CE DECLARATIONS OF CONFORMITY



This appliance has been manufactured to the strictest standards and complies with all applicable legislation, Low Voltage Directive (LVD) and Electromagnetic Compatibility (EMC).

UKCA DECLARATIONS OF CONFORMITY



This appliance has been manufactured to the strictest standards and complies with all applicable legislation.

TECHNICAL FICHE

This appliance conforms to all current and applicable energy regulations. To view the Technical Fiche that supports the energy labelling data, please visit the product page on our website www.caple.co.uk

INSTALLATION

BEFORE USING YOUR WINE CABINET

- › Remove the exterior and interior packing.

IMPORTANT:

Before connecting the wine cabinet to the power source, let it stand upright for at least 12 hours. This will reduce the possibility of a malfunction in the cooling system from handling during transportation.

- › Clean the interior surface with lukewarm water using a soft cloth.
Make sure to turn the unit off and unplug it from the outlet.

NOTE:

To protect the appliance in transit and delivery the door is packed tightly against the cabinet. When first installed this can mean the door seal appears thinner on one side of the door due to compression, this is normal and once out of the box it will relax over a short period of time and the door will return to the normal position. If you wish to speed up the process you can gently warm the seal with a hair dryer on a low temperature setting. This can help relax the seal helping it return to normal thickness a little faster.

INSTALLATION OF YOUR WINE CABINET

- › Place your wine cabinet on a surface that is strong enough to support it when it is fully loaded.
- › To level your wine cabinet, adjust the levelling legs at the bottom of the cabinet.
- › Ensure it is perfectly level, as this will minimise any vibrations.
- › This appliance uses flammable refrigerant. Never damage the cooling pipework during transportation.
- › Locate the wine cooler away from direct sunlight and sources of heat (ovens, hobs, heaters, radiators, etc.). Never clean appliance parts with flammable fluids. The fumes can create a fire hazard or explosion. When disposing your appliance, please choose an authorised disposal site.
- › Avoid locating the unit in moist areas.
- › It is fitted with a power cord having an earth wire terminating in a 13amp plug.

- › Ensure the product is correctly ventilated (see 'Installation Dimensions').
- › Consult a qualified electrician or service engineer if the earthing instructions are not completely understood.
- › Plug the wine cabinet into an exclusive, properly installed-grounded wall outlet. Do not under any circumstances cut or remove the third (ground) pin from the plug. Any questions concerning power and/or grounding should be directed toward a certified electrician or Caple service.

WARNING:

Incorrect earthing can result in the risk of electric shock.

AMBIENT TEMPERATURES

Please use the cabinet within ambient temperatures between 16-32°C, if the ambient temperature is higher or lower than this, it will cause the temperature to fluctuate in the cabinet, possibly preventing it from reaching 5-20°C.

TEMPERATURE MEMORY

In the event of a power cut, the appliance will remember the previous temperature settings. When the power is recovered the temperature will go back to the same setting.

TEMPERATURE ALARM

Once a temperature is set and reached in the wine cabinet, should the temperature inside the cabinet rise or fall from the set temperature, an audible alarm will sound and the display will flash.

When the set temperature is reached again, the audible alarm will be automatically silenced and the temperature display will stop flashing. However, you can switch the audible alarm off before this if you wish by touching any key once.

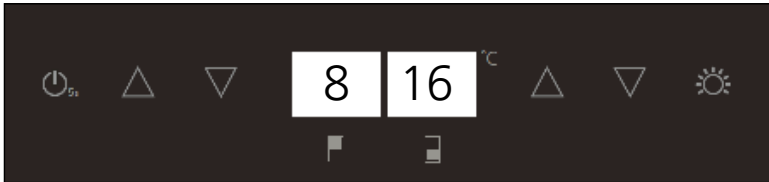
NOTE:

Adding a large amount of bottles at one time may cause the internal temperature to rise in the cabinet. This is normal, simply silence the alarm by pressing any key once and wait for the temperature to reach the set value.


DOOR ALARM

If the door has been left open for more than 60 seconds an audible alarm will sound. Closing the door or touching any key once will switch off the audible alarm.

CONTROL PANEL



TOUCH CONTROL KEYS

 To turn the appliance on/off. Press and hold this button for approximately 1 second to turn the appliance on. Press and hold this button for approximately 5 seconds to turn the appliance off.

 Press to raise the temperature in 1°C increments.

 Press to lower the temperature in 1°C increments.

 To turn the internal light on/off.

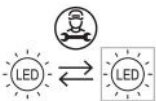
INTERNAL LIGHT

The default light setting turns the light On when the appliance door is open and turns it Off when the appliance door is closed.

To change the light setting so the light is On permanently, press and hold the light button for 5 seconds. The interior light indicator will illuminate in the bottom right of the display to signify the setting has changed. To turn the light Off, press and hold the light button for 5 seconds. The light indicator will disappear from the display.

NOTE:

This product contains a light source of energy efficiency class G.



The light must be replaced by qualified personnel. For instructions on how to replace the light, please contact Caple Service or visit our website.

TEMPERATURE DISPLAY

■ Upper zone temperature display = 5-20°C

■ Lower zone temperature display = 5-20°C

The temperature display for each zone will show the set temperature. If the actual temperature is lower or higher than the set temperature, the display will flash until the zone has reached the set temperature.

NOTE:

The temperature set for the lower zone must always be set as high or higher than that in the upper zone.

SETTINGS

Certain settings in the wine cabinet can only be selected in Settings mode. During this mode, only the UP and DOWN keys of the lower zone are functional.

Touch and hold the UP key (Lower zone) for 5 seconds to enter and leave the Settings mode. The appliance will Settings mode automatically after approximately one minute.

°F / °C SELECTION

The temperature setting in the wine cabinet is default to show in Celsius °C. To change to Fahrenheit °F, use the following steps.

1. Lightly touch and hold the UP key for 5 seconds to enter Setting mode.
2. Use the Up and DOWN keys to select the temperature display setting in °F / °C.
3. Touch and hold the UP key for 5 seconds to confirm the selection.

DISPLAY BRIGHTNESS

To change the brightness of the control panel display when the door is closed.

1. Lightly touch and hold the UP key for 5 seconds to enter Settings mode and then touch the POWER key once
2. Use the UP and DOWN keys to select the brightness of the display
 - d0 - off
 - d1 - dimmest setting (default)
 - d2 - medium setting
 - d3 - brightest setting (same level as when door is open)
3. Touch and hold the UP key for 5 seconds to confirm the selection.

INTERIOR LIGHT BRIGHTNESS

To change the interior light brightness when the door is closed.

1. Lightly touch and hold the UP key for 5 seconds to enter Settings mode and then touch the POWER key twice.
2. Use the UP and DOWN keys to select the brightness of the interior lighting
 - L0 - off when the door is open or closed
 - L1 - dimmest setting
 - L2 - medium setting
 - L3 – brightness setting (default – same level as when the door is open)
3. Touch and hold the UP key for 5 seconds to confirm the selection.

FAN MODE

The fan inside the cabinet circulates the air to ensure the temperature is evenly distributed.

The wine cabinet has three different running modes; Eco, Intermittent and Intensive fan.

Eco fan – this is the default setting, where the fan operates until the set temperature is reached.

Intermittent fan - the fan regularly turns On and Off, even when the set temperature is reached.

Intensive fan - the fan operates continuously, even when the set temperature is reached.

NOTE:

Intermittent and Intensive fan modes further improve the temperature accuracy within the cabinet. These modes will increase the noise level and energy usage as a result.

To change the fan mode setting, follow the steps below.

1. Lightly touch and hold the UP key for 5 seconds to enter Settings mode and then touch the POWER key three times.
2. Use the UP and DOWN keys to select the fan mode.
 - F0 - Eco fan (default)
 - F1 - Intermittent fan
 - F2 - Intensive fan
3. Touch and hold the UP key for 5 seconds to confirm the selection.

AUDIBLE TONES

To turn off audible tones when pressing the control panel keys or alarms (open door or temperature alarms).

1. Lightly touch and hold the UP key for 5 seconds to enter Settings mode and then touch the POWER key four times.
2. Use the UP and DOWN keys to select the audible tones.
 - S0: keypad tone ON, alarm tone OFF
 - S1: keypad tone ON, alarm tone ON (default)
 - S2: keypad tone OFF, alarm tone OFF
 - S3: keypad tone OFF, alarm tone ON

Touch and hold the UP key for 5 seconds to confirm the selection.

SABBATH MODE

Sabbath mode is available for the observance of certain religious holidays. This mode turns off the displays, interior light, sensor tones and audible alarms and prevents them from turning on again. Normal cooling operations will still take place.

To initiate Sabbath mode, touch the POWER and LIGHT keys simultaneously for at least 5 seconds. The displays and interior lights will go out to confirm the Sabbath mode is ON.

Sabbath mode can be cancelled by repeating the above process. The Sabbath Mode will automatically turn off after 96 hours.

DEMO MODE

In Demo mode, the compressor and all fan motors are switched OFF.

To turn this mode On, press and hold the UP and DOWN keys (upper zone) and LIGHT key simultaneously for at least 5 seconds. The light indicator will flash to confirm the selection and the unit will operate in Demo mode. This mode can be cancelled by repeating the above process.

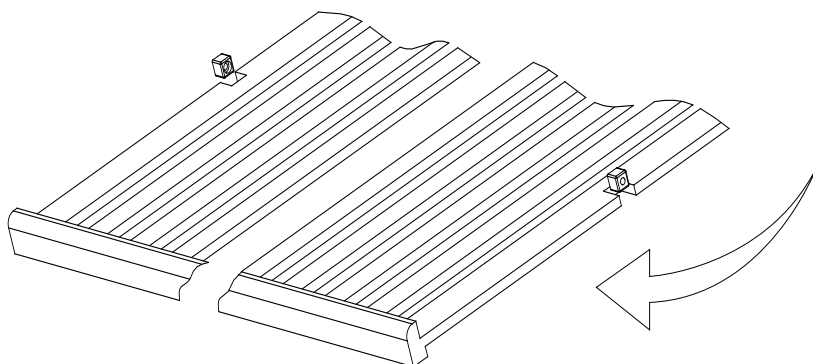
USING THE SHELVES

To prevent damaging the door gasket, make sure to have the door opened fully when pulling shelves out of the cabinet.

For easy access to the bottles, you can pull the shelves approximately 1/2 way out of the rail compartment.

REMOVING THE SHELVES

To remove a shelf, pull it forward so that the notches are beneath the stoppers on either side of the cabinet and lift it up and out. To refit a shelf, simply follow these steps in reverse.



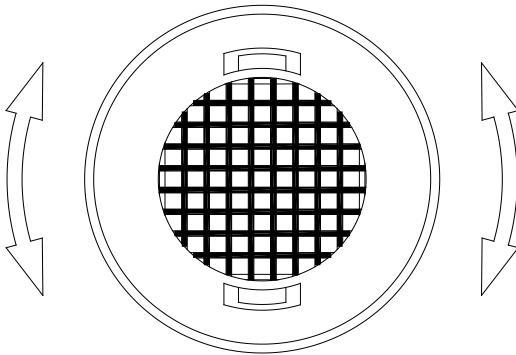
HOW TO REPLACE THE CHARCOAL FILTER

1. Remove the shelf in front of the filter (see removing the shelves).
2. Hold the filter and turn it 90° to remove.
3. Insert replacement filter vertically and turn it 90° into position.
4. Re-install the shelves.

NOTE:

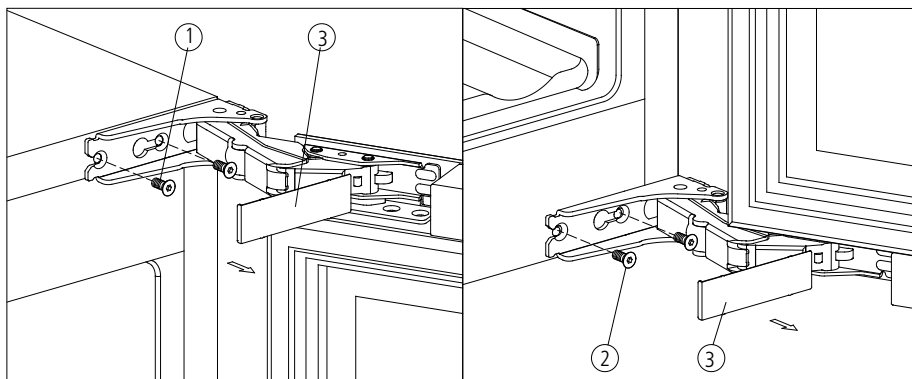
The charcoal filter should be replaced every 3-6 months depending on the unit's exposure level to odour.

Visit www.caple.co.uk to purchase the replacement charcoal filter (WC1CF).



HOW TO CHANGE THE DOOR OPENING

This appliance has reversible doors. Should you wish to reverse the hinge on your unit, follow the directions below:



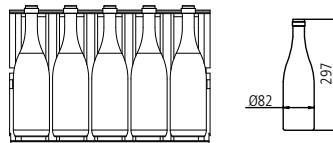
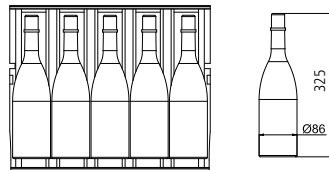
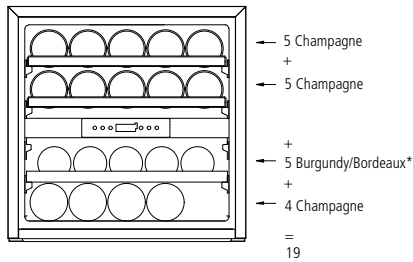
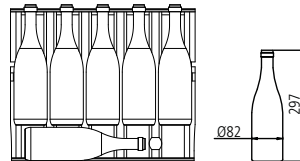
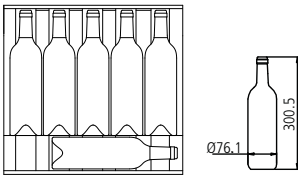
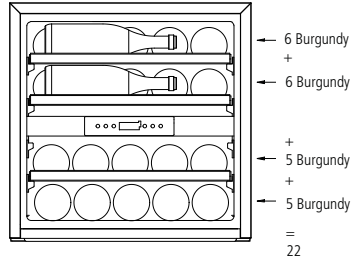
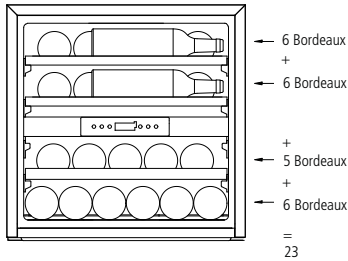
WARNING:

Use caution with the articulated hinges. The hinge is self-closing and many pinch points exist prior to built-in installation.

1. Remove the cover caps (3) and then remove the glass door by unscrewing the four screws (1) and (2). Be careful to hold the glass door firmly after removing the screws and place it on a padded surface to avoid the risk of damage.
2. Remove the cover caps on the left side of the cabinet and use them to cover the screw holes on the right side.
3. Rotate the glass door 180° and refit the glass door to the opposite side. Then screw and tighten it after the door is levelled.

WINE BOTTLE STACKING

Stores Max. 23 Bordeaux style bottles 750ml.



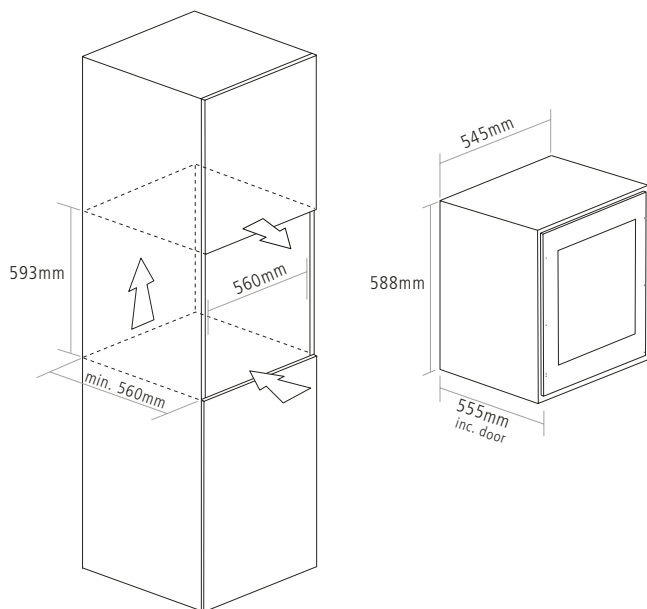
*Champagne bottles cannot be placed on this shelf due to the air distributor. Burgundy or Bordeaux bottles can be stored instead.

NOTE:

If you wish to store other style bottles i.e champagne, the maximum storage capacity will be less than as shown above.

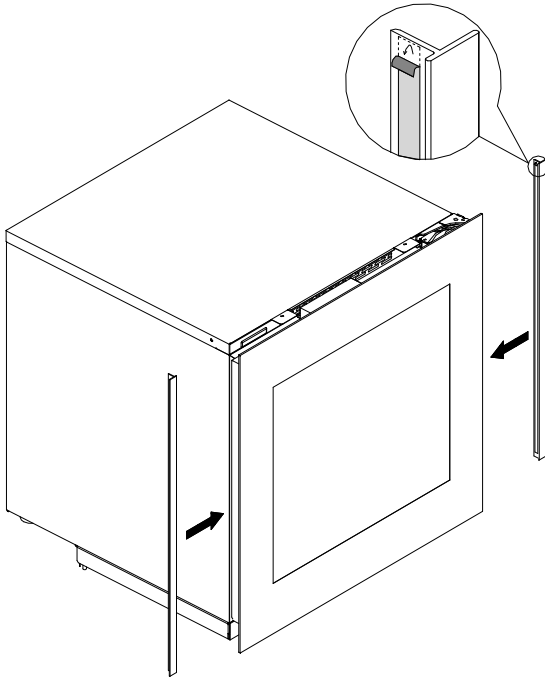
Shelves may also need to be removed to allow more bottles to be stored.

INSTALLATION DIMENSIONS



Air at the back of the appliance gets warm. The wine cabinet is equipped with an integrated ventilation system to disperse the warm air automatically. Air intake is provided underneath the appliance door and the air escapes at the top of the door. The air inlet and outlet must not be covered or blocked in any way. They must also be regularly cleaned of dust.

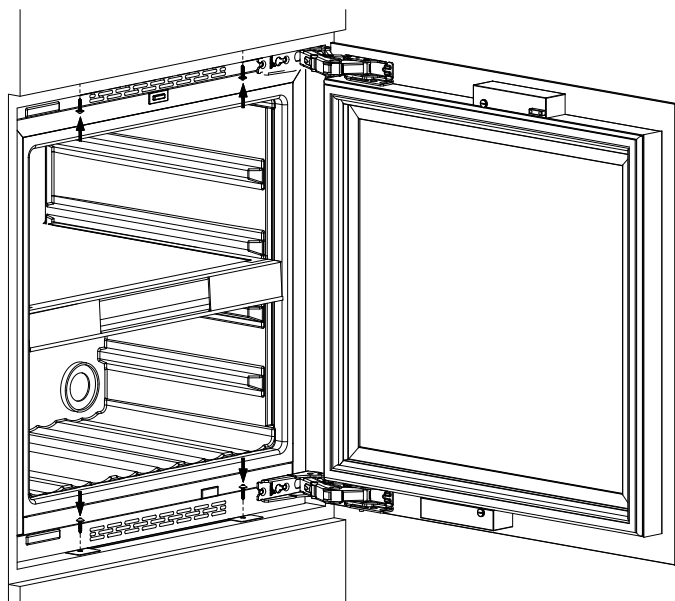
INSTALLING THE SIDE GASKETS



Two gaskets are supplied for either side of the appliance. Depending on your installation requirements, these may need to be trimmed to size.

1. Once the appliance is in position, with the door closed, check the length of the gasket, and cut to correct length (if required).
2. Pull the cabinet forward slightly, remove the film covering the adhesive and stick the gaskets to the front edge of the cabinet sides.
3. Once applied, push the cabinet back into position.

INSTALLING THE FIXING BRACKETS



The appliance comes supplied with 2 fixing brackets. These will keep the product secure and help prevent it moving when in use.

After installing the wine cabinet, open the door and fix these into the units with four screws using a screwdriver.

INSTALLING THE FURNITURE DOOR

You will need to install a furniture door frame to the front of the wine cabinet once the wine cabinet has been installed.

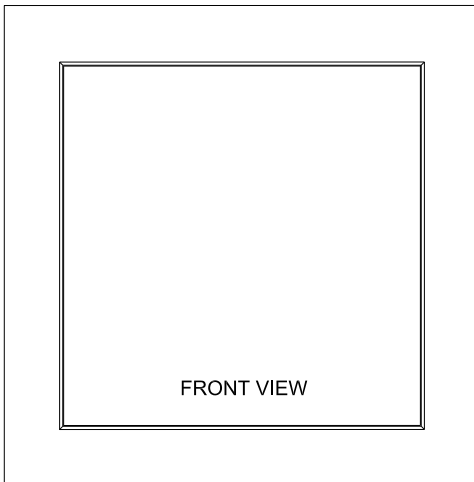
The furniture door frame can be custom made to line up with your other furniture doors in the kitchen. The door must be finished on both sides in order to prevent warping. In some installations the door panel may be visible through the glass when the door is open. See below for furniture door frame dimensions.

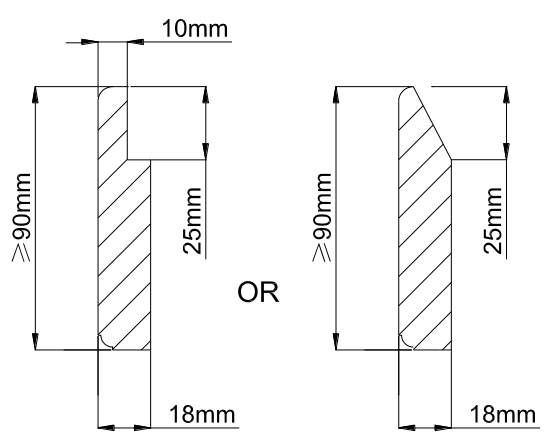
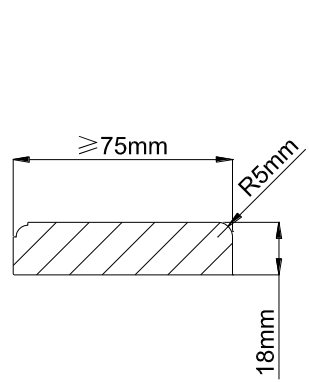
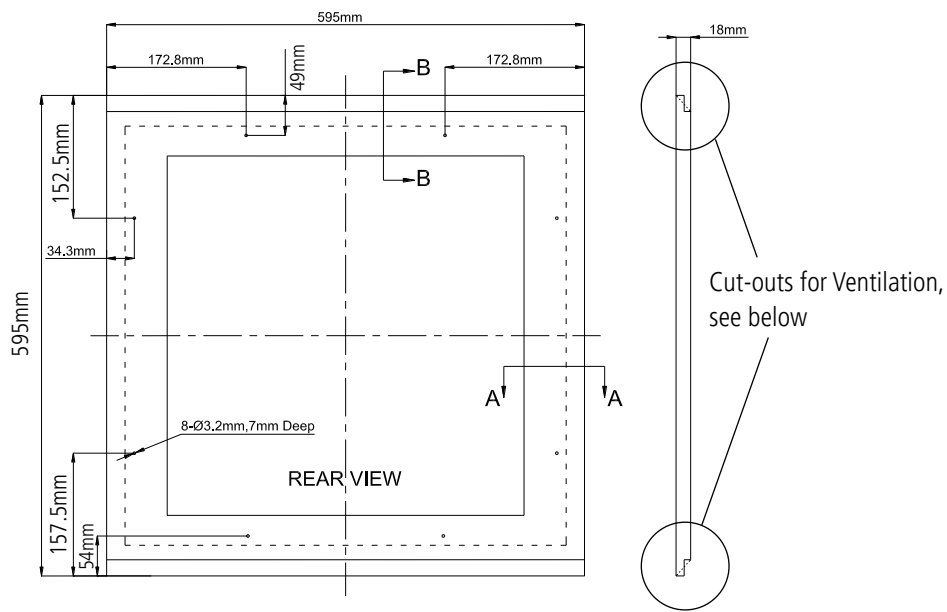
NOTE:

The door panel must not weight more than 7kg.

NOTE:

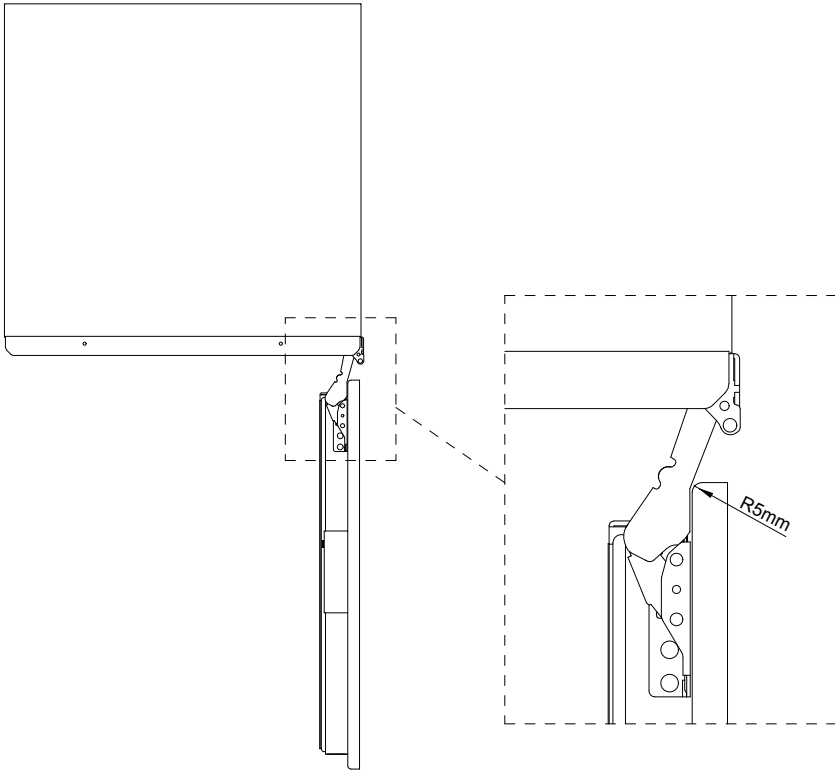
We recommend the door thickness does not exceed 18mm. If a thicker door is used, the door may make contact with the adjacent furniture door when opened.





*See 'VENTILATION' on next page

The R5mm radius as shown in SECTION A-A allows the door to open correctly and avoids binding on the hinge.



VENTILATION

Air intake is provided underneath the appliance door and the air escapes at the top of the door. The top and bottom section of door panel must be strictly produced as SECTION B-B to create the air inlet and outlet. The air inlet and outlet must not be covered or blocked in any way.

WARNING:

If the ventilation gaps given are not observed, the compressor will run more frequently and for longer periods. This will result in increased energy consumption and a higher operating temperature for the compressor. This may, in turn, cause damage to the compressor. It is essential to observe the ventilation gaps given.

HOW TO INSTALL THE FURNITURE DOOR

NOTE:

If a handle is required, please ensure this is installed in an appropriate position before the furniture door is installed.

1. Fully open door.
2. Starting at the corner, pull the gasket away from the door. As per Fig A.
3. Continue to pull the gasket free from the gasket channel.
4. Upon removal, lay gasket down on a flat surface.
5. Secure the furniture door panel to the appliance door using clamps (see Fig. B).
6. Drill 8 pilot holes into the wood panel using the holes in the door frame as a guide.

NOTE:

It is important to ensure that all drilled holes are drilled to the correct depth in order to avoid splits in the wood when hardware is installed. You must also take care not to drill all the way through the door.

7. Locate 8 of the ST4x32 mm screws provided with your unit.
8. Using a Phillips screwdriver, place one screw into each of the 8 pilot holes and screw into the door, as per Fig C. Be careful not to over tighten screws. Ensure the screws sit flush against the bottom of the channel. Remove clamps from door. Note: If the panel requires additional adjustment after removing clamps, slightly loosen each screw and adjust panel as necessary. Tighten screws upon completion.
9. Starting at the corners, re-install the gasket into the gasket channel in the frame, by pushing firmly into place. Make sure the gasket is fully seated into the channel.

NOTE:

If the gasket is not fully seated into the channel, the door will not close properly. This can stop the wine cabinet from cooling.

Once installed, the furniture door will extend beyond the appliance door. Because of this, the appliance must not be set down on the floor vertically at any time to avoid damaging the door.

Fig.A



Fig.C

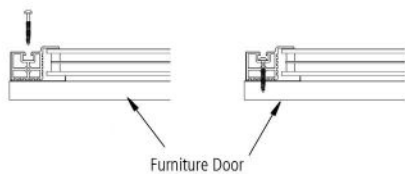
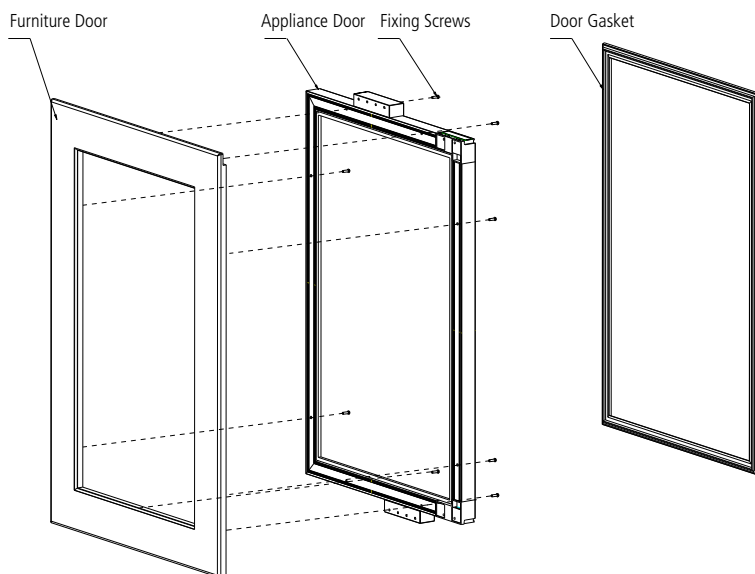
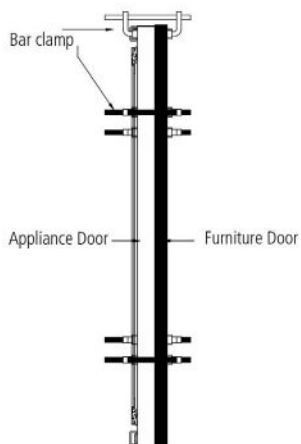


Fig.B



CARE AND MAINTENANCE

CLEANING YOUR WINE CABINET

- › Turn off the power, unplug the appliance, and remove all items including shelves and rack.
- › Wash the inside surfaces with a warm water and baking soda solution. The solution should be about 2 tablespoons of baking soda to 2 pints of water.
- › Wash the shelves with a mild detergent solution.
- › Wring excess water out of the sponge or cloth when cleaning area of the controls, or any electrical parts.
- › Wash the outside cabinet with warm water and mild liquid detergent. Rinse well and wipe dry with a clean soft cloth.

POWER FAILURE

Most power failures are corrected within a few hours and should not affect the temperature of your appliance if you minimise the number of times the door is opened. If the power is going to be off for a longer period of time, you need to take the proper steps to protect your contents.

HOLIDAY

SHORT HOLIDAYS: Leave the wine cabinet operating during holidays of less than three weeks.

LONG HOLIDAYS: If the appliance will not be used for several months, remove all items and turn off the appliance. Clean and dry the interior thoroughly. To prevent odour and mould growth, leave the door open slightly (blocking it open if necessary).

MOVING YOUR WINE CABINET

- › Remove all items.
- › Securely tape down all loose items (shelves) inside your appliance.
- › Turn the adjustable leg up to the base to avoid damage.
- › Tape the door shut.
- › Be sure the appliance stays secure in the upright position during transportation. Also protect outside of appliance with a blanket, or similar item.

ENERGY SAVING TIPS

The wine cabinet should be located in the coolest area of the room, away from heat producing appliances, and out of the direct sunlight.

CLOSING THE DOOR

Close the door with care as slamming the door puts excess stress on the appliance and can cause the door to bounce open slightly. If this is not noticed, it can cause excess moisture to build up in the cabinet which in extreme cases can lead to the evaporation tray overflowing.

TROUBLESHOOTING

You can solve many common wine cabinet problems easily, saving you the cost of a possible service call. Try the suggestions below to see if you can solve the problem before calling Caple Service.

PROBLEM	POSSIBLE CAUSE
The wine cabinet does not operate	Not plugged in. The appliance is turned off. The circuit breaker tripped or a blown fuse.
The wine cabinet is not cold enough	Check the temperature control setting. External environment may require a higher setting. The door is opened too often. The door is not closed completely. The door gasket does not seal properly. The gasket is not fully seated into the channel in the door frame.
The compressor turns on and off frequently	The room temperature is hotter than normal. A large amount of contents has been added to the wine cabinet. The door is opened too often. The door is not closed completely. The temperature control is not set correctly. The door gasket does not seal properly.
The light does not work	Not plugged in. The circuit breaker tripped or a blown fuse. The bulb has burned out. The light button is "OFF". Sabbath Mode is 'On'.
Vibrations	Check that the appliance is even
The Wine cabinet seems to make too much noise.	The rattling noise may come from the flow of the refrigerant, which is normal. As each cycle ends, you may hear gurgling sounds caused by the flow of refrigerant in your wine cabinet. Contraction and expansion of the inside walls may cause popping and crackling noises. The wine cabinet is not level.
The door will not close properly	The wine cabinet is not level. The door was reversed and not properly installed. The gasket is dirty. The shelves are out of position. The gasket is not fully seated into the channel in the door frame.
Cabinet is not cooling.	DEMO mode is selected.
E0, E1, E2, E3, E4, E5, E6, E7, E8, E9, Ec or Et appears on the display.	Contact Caple Service
Alarm sounds and temperature display NOT flashing (door alarm).	Door has been left open longer than 60 seconds. Close the door, or touch any key to disable alarm. The alarm will reset when the door is closed.

<p>The alarm sounds AND the temperature display flashes (temperature alarm).</p>	<p>The temperature has risen higher or fallen lower than the temperature that has been set. This could be due to:</p> <ul style="list-style-type: none"> › The appliance door being opened too often. Do not open the door more often than necessary. › The ventilation opening being covered or too dusty. Clear the obstructions and clean the dust. › A lengthy interruption to the power supply. › A large amount of bottles have been added to the unit. Leave the appliance to work for a while until the set temperature has been reached.
<p>Condensation on outside surface of glass door</p>	<p>High humidity climate. During periods of high humidity, some condensation may appear on outside surface of the glass door. It will disappear when humidity levels drop. It is advisable to install the appliance with sufficient ventilation in a dry and/or an air-conditioned place.</p>

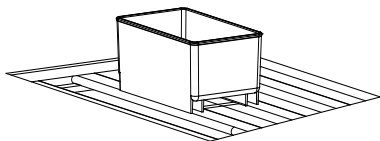
If the above table has not solved the problem please contact Caple Service by phone on **0117 938 7420** or by email **service@caple.co.uk**

DEFROSTING/CONDENSATION

Your wine cabinet is designed with an “Auto-cycle” defrost system. When the RUN cycle is OFF, the refrigerated surface of the wine cabinet (interior rear wall) defrosts automatically. The defrosted water is channelled into a drain pan which is located at the back of the cabinet next to the compressor from where it evaporates.

HUMIDITY SYSTEM

The wine cabinet is equipped with a system for maintaining the correct level of humidity. If humidity is too low, insert the small plastic reservoir on to the top shelf. Fill this reservoir 3/4 full with water. Check the water level occasionally and refill as necessary.



SPARE PARTS AVAILABILITY

The original spare parts for some specific components are available for a minimum of 7 or 10 years, based on the type of component, from the placing on the market of the last unit of the model.

For more info and to order spares, please contact Caple service or visit our website

www.caple.co.uk.

RECOMMENDED TEMPERATURES

RECOMMENDED STORAGE TEMPERATURES:

DRINK TYPE	RECOMMENDED TEMPERATURE
For storing all types of wines	12°C to 14°C

RECOMMENDED DRINKING TEMPERATURES:

DRINK TYPE	RECOMMENDED TEMPERATURE
Champagne NV, Sparkling	6°C
Champagne Vintage	10°C
Dry White Semillon, Sauvignon Blanc	8°C
Dry White Gewürztraminer, Riesling	10°C
Dry White Chardonnay	10°C
Vintage Chardonnay	14°C
Sweet White Sauternes Monbazillac, Late Harvest ice wine	10°C
Sweet whites vintage Sauternes	14°C
Beaujolais	13°C
Red Pinot Noir	16°C
Vintage Pinot Noir red	18°C
Red Cabernet, Merlot, French, Australian, New Zealand, Chilean, Argentinean, Italian, Spanish, Californian	18°C
Red Grenache, Syrah	16°C



Caple Service
Fourth Way
Avonmouth
Bristol
BS11 8DW

T: 0117 938 1900
E: service@caple.co.uk
www.caple.co.uk