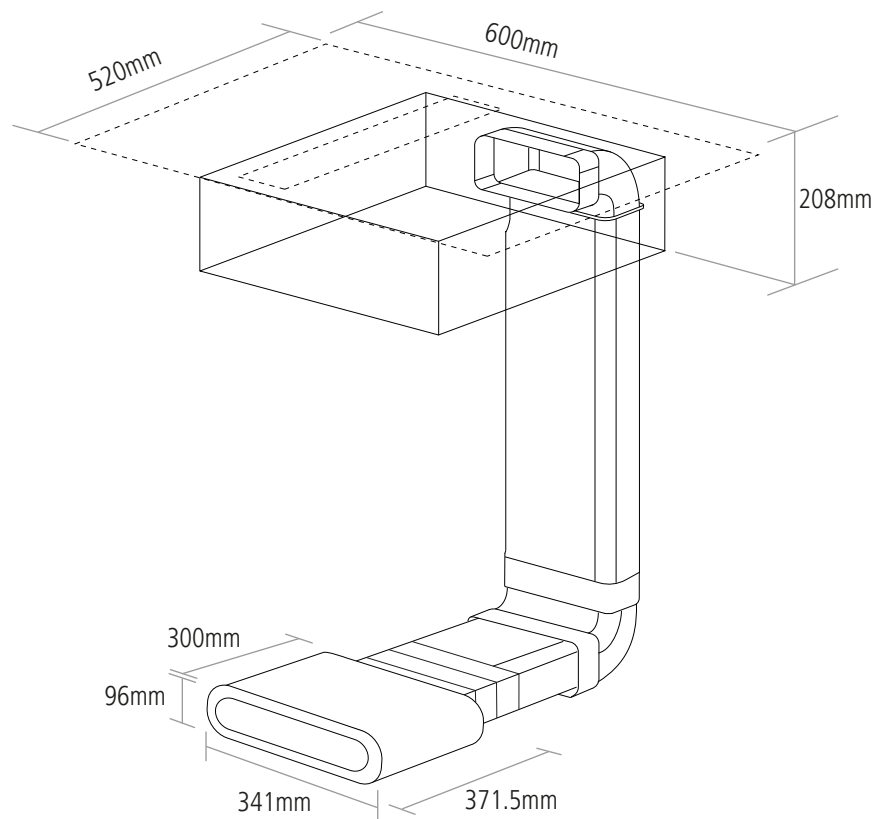


# DIMENSIONS



\*Inset cut-out 560 x 490mm. Refer to manual for further information.