



# Sense Storage Drawer Instruction Manual

---

# SD140BG



Contact Caple on 0117 938 7420 for spare parts or [www.caple.co.uk](http://www.caple.co.uk)

## **WARNINGS:**

Caple will not be held liable for damage to persons or property due to incorrect installation or use of the storage drawer.

Be sure to check the appliance for damage once it has been unpacked. If it has been damaged, do not use it and contact your retailer immediately.

Do not allow children to play with the door.

This product is not intended to be used by persons (including children) with reduced physical, sensory or mental capabilities, or lack of experience and knowledge, unless they have been given supervision or instruction concerning use of the appliance by a person responsible for their safety.

Do not sit or lean on the drawer, as the telescopic rail system may become damaged.

The maximum load of the drawer is 25kg.

Make sure the storage drawer is firmly secured to the cabinet.

## **DISPOSAL OF PACKAGING:**

The packaging materials protect the appliance during transport.

Recycling of the packaging makes it possible to save raw materials and reduce waste volumes. If you dispose of the packaging yourself, ask local authorities for the location of the nearest collection centre.

## INSTALLATION

---

The storage drawer can only be installed with another appliance directly above it with a maximum weight of 40kg.

For installation with combination appliances, follow the instructions and building in dimensions shown in the 'Installation dimensions' section.

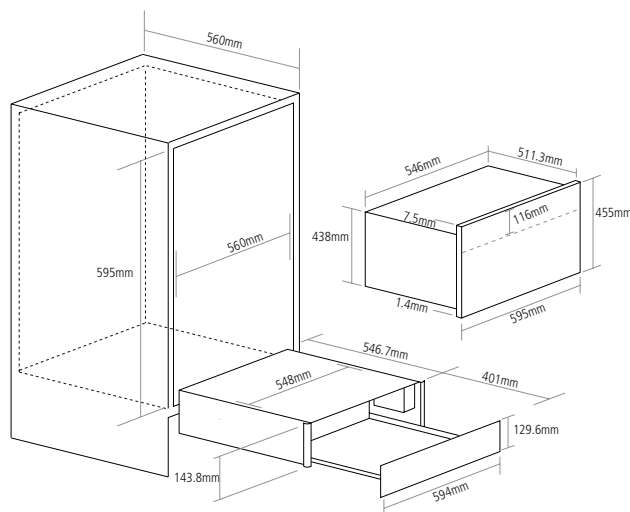
Insertion and installation of this appliance may be performed by qualified personnel who ensure safe operating conditions.

The dimensions of the housing are obtained from the size of the warmer drawer plus measurements of the appliance combined with it.

Once positioned into the cabinet, secure the storage drawer by inserting and tightening the 2 screws into the frame of the drawer into the cabinet. Ensure the screws are fastened tightly so that the drawer cannot pull out of the cabinet.

## INSTALLATION DIMENSIONS

---





Caple Service  
Fourth Way  
Avonmouth  
Bristol  
BS11 8DW

T: 0117 938 1900  
E: [service@caple.co.uk](mailto:service@caple.co.uk)  
[www.caple.co.uk](http://www.caple.co.uk)