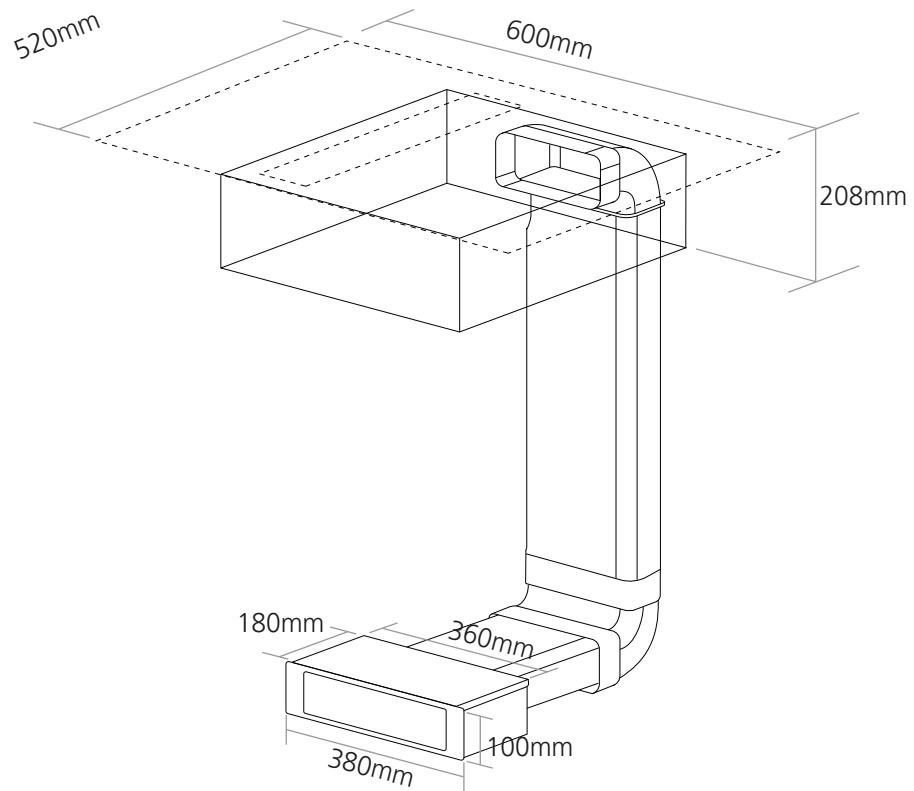


DIMENSIONS



*Inset cut-out 560 x 490mm. Refer to manual for further information.