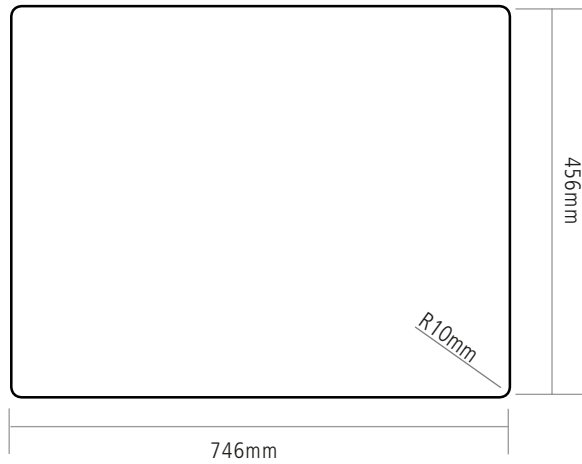


MODE175 & MODE175/GD INSTALLATION GUIDE



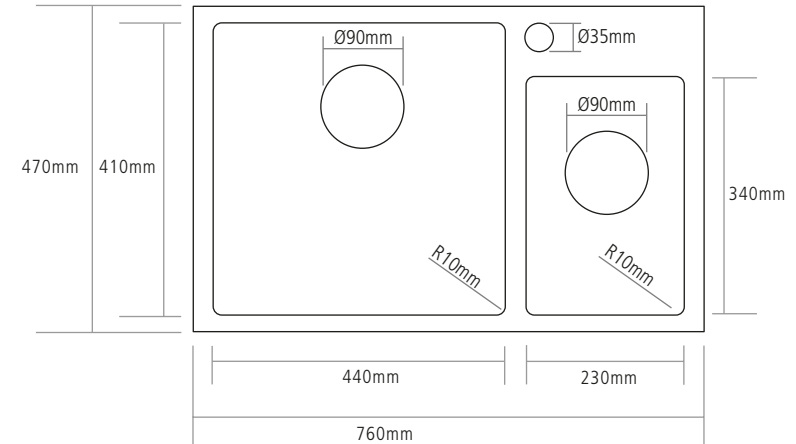
INSET INSTALLATION



UNDERMOUNT INSTALLATION

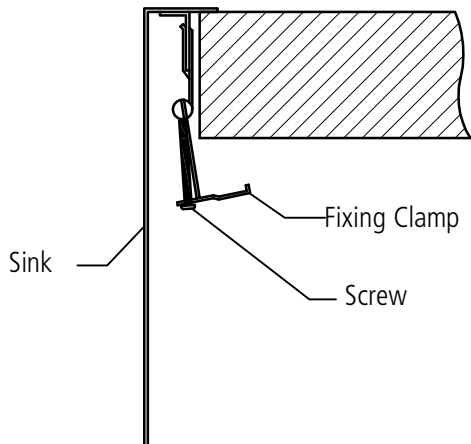
Use sink to measure cut-out dimensions. These will vary depending on your chosen installation type.

DIMENSIONS

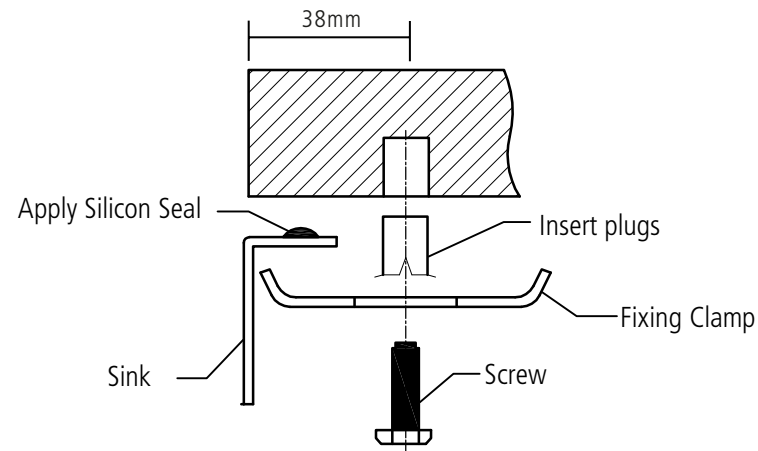


Bowl depth: 220mm
Small bowl depth: 200mm
Min. base unit: 800mm

INSET FIXING CLIPS



UNDERMOUNT FIXING CLIPS



NOTE: Please check the recommended sizes against the actual sink to achieve the most accurate cut out