



Waste Disposal Unit Instruction Manual

WDU125



Contact Caple on 0117 938 7420 for spare parts or www.caple.co.uk

CONTENTS

Instructions	3
Safety Instructions	4
Environmental Protection	6
Dishwasher Connection	7
Installation Of Mounting Assembly	7
Electrical Connections	9
Attaching Discharge Elbow	12
Operating Instructions	13
Cleaning And Maintenance	14
Installations Dimensions	14
Troubleshooting	15
Air Switch Assembly Instructions	16
Caple Service contact details	18

INSTRUCTIONS

Read these instructions carefully and completely before using your Waste Disposal Unit, keep it in a convenient place for reference when necessary.

NOTE: This Waste Disposal Unit has been designed to operate at 220/240V~, 50/60 Hz household current exclusively. Using any other voltage or Hz adversely affects performance, and invalidates the warranty.

CAUTION: Be sure to review the Safety Instructions Warning and Electrical Connection section before using disposer.

NOTE:

Model information and serial number appears on the rating label affixed to bottom of the disposer. For your convenience, write down the model and serial numbers prior to installation.

SAFETY INSTRUCTIONS

Instructions pertaining to a risk of fire, electric shock or injury to persons. Save these instructions.

WARNING:

When using electrical appliances, basic precautions should always be followed, including the following:

- Read all instructions before using the waste disposal unit.
- To reduce the risk of injury, close supervision is necessary when an appliance is used near children.
- Do not put fingers or hands into a waste disposer.
- Turn the power switch to the off position before attempting to clear a jam or remove an object from the disposer.
- When attempting to loosen a jam in a waste disposer, use a long wooden object such as a wooden spoon or the wooden handle of a broom or mop.
- When attempting to remove objects from a waste disposer use long-handled tongs or pliers. If the disposer is magnetically actuated, non-magnetic tools should be used.
- To reduce the risk of injury by materials that may be expelled by a waste disposer, do not put the following into a disposer: clam or oyster shells; caustic drain cleaners or similar products; glass, china or plastic; large whole bones; metal, such as bottle caps, tin cans, aluminium foil or utensils; hot grease or other hot liquids.

- When not operating a disposer, leave the stopper in place to reduce the risk of objects falling into the disposer.
- Do not operate disposer unless splash guard is in place.
- For proper grounding instructions see the electrical connection section of this manual.
- Installation of this appliance must be done in accordance to local plumbing codes and laws.
- If the supply cord is damaged, it must be replaced by the manufacturer, its service agent, or authorized person in order to avoid hazard.
- This appliance is not intended for use by persons (including children) with reduced physical, sensory or mental capabilities, or lack of experience and knowledge, unless they have been given supervision or instruction concerning use of the appliance by a person responsible for their safety.
- Children should be supervised to ensure that they do not play with the appliance.



ENVIRONMENTAL PROTECTION

Waste electrical products should not be disposed of with household waste. Please recycle where facilities exist. Check with your Local Authority or retailer for recycling advice. This appliance is marked according to the European Directive on Waste Electrical and Electronic Equipment (WEEE).

By ensuring this product is disposed of correctly, you will help prevent potential negative consequences for the environment and human health, which could otherwise be caused by inappropriate waste handling of this product. The symbol on the product indicates that this product may not be treated as household waste. Instead it shall be handed over to the applicable collection point for the recycling of electrical and electronic equipment. Disposal must be carried out in accordance with local environmental regulations for waste disposal.

For more detailed information about treatment, recovery and recycling of this product, please contact your local council, your household waste disposal service or the retailer where you purchased the product.

CE DECLARATIONS OF CONFORMITY

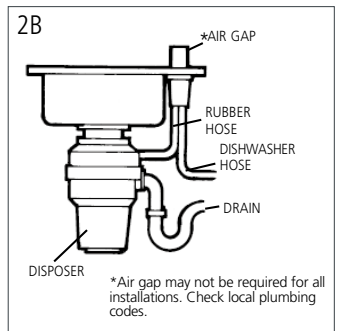
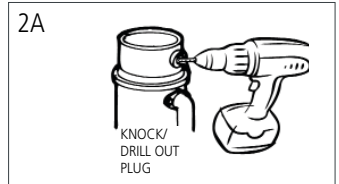


This appliance has been manufactured to the strictest standards and complies with all applicable legislation, Low Voltage Directive (LVD) and Electromagnetic Compatibility (EMC).

DISHWASHER CONNECTION

If you are utilizing a dishwasher, complete the following procedure. If dishwasher is not to be connected go on to 'Installation of mounting assembly'.

- » Using a drill, drill out the entire plug, (see 2A). When knock out plug falls into disposer, you may remove it or grind it up when the disposer is used. This will not damage the disposer in any way, but may take some time to grind).
- » Connect dishwasher hose (see 2B) using hose clamp. Make sure all plumbing connections are tight and in accordance with all plumbing codes and ordinances. Run water and check for leaks.



INSTALLATION OF MOUNTING ASSEMBLY

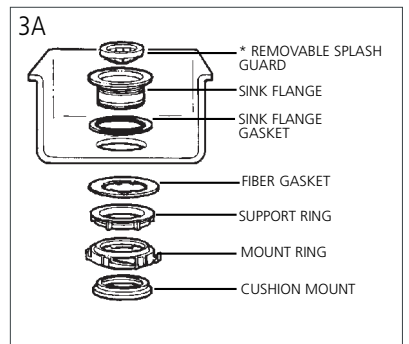
READ COMPLETELY BEFORE STARTING

NOTE:

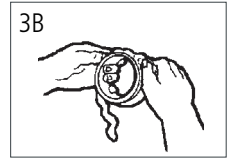
Pay close attention to the order of mount assembly parts, as they have been correctly assembled by the factory (see 3A). Also, reference the cushion mount detail in illustration 3G for the proper position of the cushion mount.

Try practicing this assembly before you get under the sink to get the "feel" of how the parts fit together.

- » Disassemble mount assembly from disposer by turning mount ring to the left (clockwise) and remove.



» Raise mount ring toward top of sink flange. Remove cushion mount. Remove mount ring. You may want to practice installing the cushion mount at this point before you are under the sink. See paragraph H. Also see the "Important Notice: Cushion Mount Detail."



» Unscrew support ring from sink flange and remove fibre gasket. You are now left with sink flange and rubber gasket.

» The rubber gasket is used instead of plumbers putty or silicone with stainless steel sinks. Other sinks may require putty or silicone.

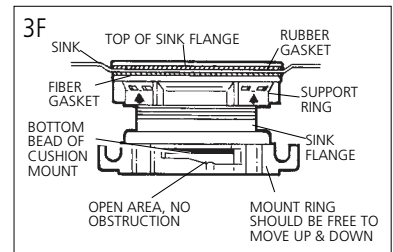
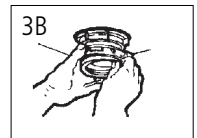
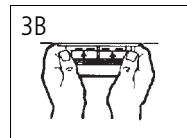
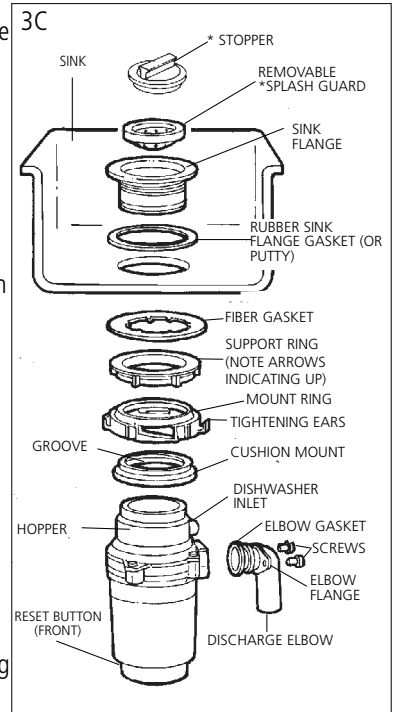
» If no putty or silicone is used, insert sink flange through rubber gasket into sink opening. Do not rotate sink flange once it is seated.

» If you use putty or silicone instead of the gasket, form a ring around underside of sink flange (see 3D). Insert flange into sink opening, press down hard to squeeze out excess putty or silicone (see 3B). From under sink, trim off excess putty or silicone flush with bottom edge of sink opening.

» From underneath sink, slip fibre gasket onto exposed sink flange. With arrows pointing up, screw support ring onto the sink flange, hand tighten until the sink flange will not move. At this point you may want to insert stopper in sink and fill with water to check sink flange seal and ensure there are no leaks.

» Place mount ring over sink flange and hold in place while installing cushion mount (large side down) so the groove on the inside of cushion mount fits over lip on sink flange, similar to putting the lid on a plastic container (see 3E, 3F & 3G). Please read important notice below.

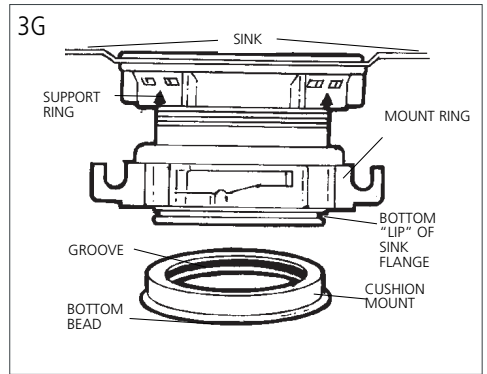
» The disposer must be installed so that the reset button is readily accessible



IMPORTANT NOTICE:

CUSHION MOUNT DETAIL

When the cushion mount is installed correctly, the lip of the sink flange fits into the groove on the inside of the cushion mount and mount ring can be pulled downward over cushion mount and will be free to rotate. The bottom bead of the cushion mount acts as a gasket between the bottom of the sink flange and the top of the disposer. See illustration 3G.



ELECTRICAL CONNECTIONS

WARNING:

This appliance must be earthed. In the event of a malfunction, Earthing provides a path of least Resistance for the electrical current, Thus reducing the risk of electrical Shock.

The rating for this disposer is 220/240V~, 50/60 Hz and should be connected to a main distribution board or consumer unit.

Prior to connecting the electrical supply, the installer must be thoroughly familiar with electrical power and procedures. If the installer is not, an electrician should be contacted.

WHEN USING THE ATTACHED PRE-WIRED MOLDED PLUG AND LEAD (SEE 4A).

This waste disposer is engineered to be connected to a 220/240v~50/60 Hz electrical supply through the attached three-pin plug and into a wired Socket. The disposer must be protected by a BS 1363 13 amp fuse. The fuse is included within the molded plug and lead, attached to the Disposer.

The 13 amp double pole switched spur switch should be positioned higher Than the sink worktop and at a minimum of one meter from the side of the sink, away from water splashes and out of the reach of children. This Spur switch must be a double pole with at least 3mm contact separation In each pole. 20 Amp dp switches BS 3676 meet this condition.

To avoid accidentally leaving the disposer running, a switch with a neon Indicator lamp is suggested. A 13 amp asta approved fuse, to BS 1363 Must be fitted in the fuse carrier of this spur switch.

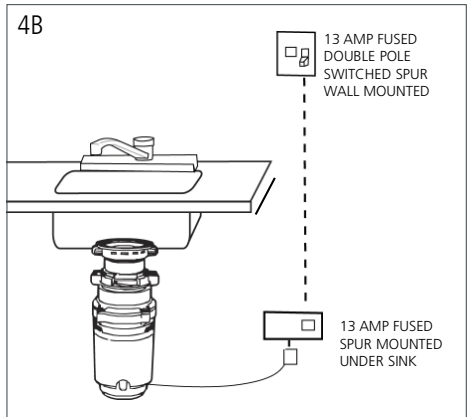
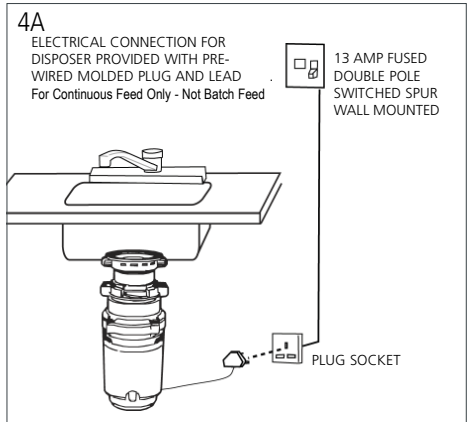
ELECTRICAL CONNECTIONS:

Simply insert the plug into the socket wired as previously described.

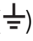
WHEN NOT USING THE PRE-WIRED PLUG BUT WIRING DIRECT WITH FIXED WIRING (SEE 4B).

The switches used must be double pole type and have at least a 3mm Contact separation in each pole (20 amp dp switches to BS 3676 meet This requirement).

Prepare the tips of the wires of the electrical lead and attach to the junction Box. Disconnect the junction box from the electrical supply before Making the following connections:



The green and yellow wire must be connected to the terminal marked in One of the following ways:

- » With the letter "E"
- » By the earth symbol ()
- » Coloured green or green and yellow.

The brown wire must be connected to the terminal that is marked with The letter "L".
The blue wire must be attached to the terminal that is marked with the Letter "N".

NOTE:

As your disposer has a molded plug on the lead and the plug is not to be used, cut it off and dispose of it wisely. A molded plug with a loose lead with disconnected wires can be hazardous as an electrical Shock hazard could occur should such a plug be inserted into a 13 amp Socket anywhere within the home.

**WARNING:
THIS APPLIANCE MUST BE EARTHED.**

In the event of a malfunction or breakdown, earthing reduces the risk of shock. This disposer must be connected to an earthed, metal, permanent wiring conductor and connected to the equipment earthing terminal or lead on the disposer.

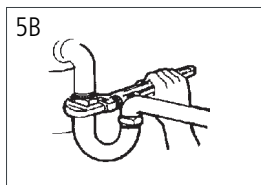
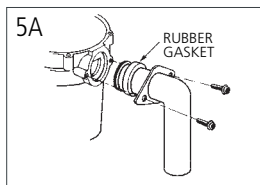
GROUNDING INSTRUCTIONS:

For waste disposers equipped with a grounded plug-in power cord.

- » This appliance must be grounded. In the event of a malfunction or breakdown, grounding provides a path of least resistance for electric current to reduce the risk of electric shock. This appliance is equipped with a cord having an equipment-grounding conductor and a grounding plug. The plug must be plugged into an appropriate outlet that is properly installed and grounded in accordance with all local codes and ordinances. If the supply cord is damaged it must be replaced by the manufacturer, its service agent or similarly qualified person in order to avoid a hazard. The appliance must be installed so that reset button is readily accessible.

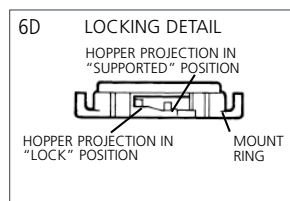
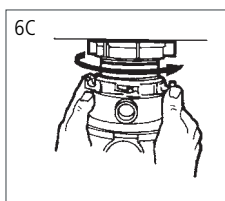
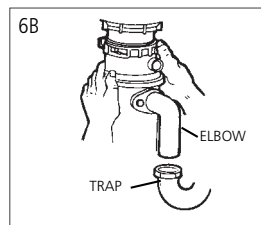
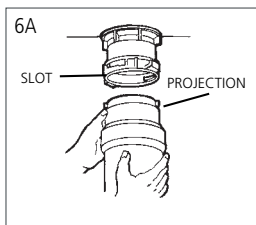
ATTACHING DISCHARGE ELBOW

- » Connect waste elbow to the disposer (see 5A), proceed to step 6 and then connect bottom of the elbow by tightening the slip nut (see 5B).
- » If you are connecting to a dishwasher, return to section 2B. If not, make sure all plumbing connections are tight and in accordance with all plumbing codes and ordinances. Run water and check for leaks.



CONNECTING DISPOSER TO MOUNT ASSEMBLY

- » Line up disposer under mounting assembly. Guide hopper projections into mount ring slots. Turn mount ring about 1/4" to right so that disposer is temporarily supported (see 6A).
- » Turn mount ring and disposer until disposer elbow lines up with trap (see 6B).
- » Turn mount ring to the right (counter-clockwise) until it reaches the locking position as shown (6D). Hopper projections must be to extreme left of mounting slots (see 6C & 6D).
- » If mount ring is hard to turn, you may add a small amount of petroleum jelly or liquid soap to hopper projections. Run water and check for leaks.



OPERATING INSTRUCTIONS

The Anti-Jam Swivel Impellers make a clicking sound as they initially swing into place. This indicates normal operation.

- » Remove sink stopper. Turn on a medium flow of cold water.
- » Turn switch to ON position; your motor is turning at full speed and ready to use.
- » Scrape in food waste. Down the drain go table scraps, peelings, rinds, seeds, pits, small bones and coffee grounds. To speed up food waste disposal, cut or break up large bones, rinds and cobs. Large bones and fibrous waste require considerable grinding time and are more easily thrown away with other trash. Do not be alarmed that the disposer slows down while grinding. The disposer is actually increasing torque (grinding power) and is operating under normal conditions.
- » Before turning disposer off, let water and disposer run for approximately 15 seconds after shredding or grinding stops. This assures that all waste is thoroughly flushed through trap and drain.
- » It is not recommended to use hot water while running disposer. Cold water will keep waste and fats solid so disposer can flush away particles.

TIPS FOR SUCCESSFUL OPERATION:

- » Be sure disposer is empty before using your dishwasher so it may drain properly.
- » You may want to leave the stopper in the drain when not in use to prevent utensils and foreign objects from falling into the disposer.
- » Your disposer is ruggedly built to give you many years of trouble free service. It will handle all normal food wastes, but it will NOT grind or dispose of such items as plastic, tin cans, bottle caps, glass, china, leather, cloth, rubber, string, clams and oyster shells, aluminium foil or feathers.

CLEANING AND MAINTENANCE

DO NOT ATTEMPT TO LUBRICATE YOUR DISPOSER

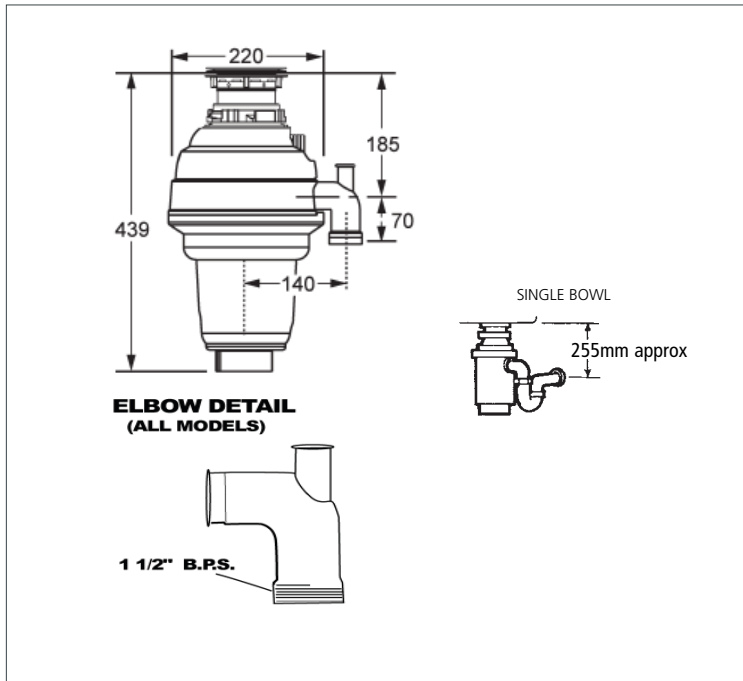
The motor is permanently lubricated. The disposer is self cleaning and scours its internal parts with each use.

WARNING:

Never put bleach or chemical drain cleaners into the disposer, as they cause serious corrosion of metal parts. If used, resulting damage can be easily detected and all warranties are void. Mineral deposits from your water can form on the stainless steel turntable, giving the appearance of rust.

Do not be alarmed, the stainless steel turntables used will not corrode and can be cleaned accordingly.

INSTALLATIONS DIMENSIONS



TROUBLESHOOTING

Before seeking repair or replacement, we recommend that you review the following:

LOUD NOISES:

(Other than those during grinding of small bones and fruit pits): These are usually caused by accidental entry of a spoon, bottle cap or other foreign object. To correct this, turn off electrical switch and water. After disposer has stopped, remove splash guard, remove object with long handled tongs, and replace splash guard.

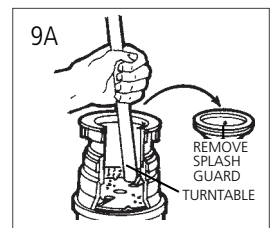
UNIT DOES NOT START:

Unplug power cord or turn either the wall switch or breaker box switch to "OFF" position, depending on your model and wiring configuration. Remove stopper and/or splash guard. Check to see if turntable will rotate freely using a wooden broom handle. If turntable rotates freely, replace splash guard and check reset button to see if it has been tripped. Reset button is red and located on the front of the disposer. Push button in until it clicks and remains depressed.

Reset Button should be pressed only once. If reset button has not been tripped, check for shorted or broken wire connecting to disposer. Check electrical power switch, fuse box or circuit breaker. If wiring and electrical components are intact, the unit may have internal problems that require service or replacement.

IF TURNTABLE DOES NOT ROTATE FREELY:

Turn off disposer, then check for any foreign object lodged between the turntable and grind ring. Dislodge object by rotating table with a wooden spoon or broom handle (see 9A) and remove object. If no foreign object is present, there may be internal problems.



LEAKS:

If the unit leaks at the top, it may be due to:

- » Improper seating of sink flange (gasket centering, putty or tightening).
- » Support ring not tightened properly.
- » Defective or improperly installed cushion mount.

If unit leaks at the waste elbow, leak may be due to improper tightening of elbow flange screws.

DO NOT PRESS THE RED RESET BUTTON UNLESS POWER IS SWITCHED OFF AT THE POWER POINT.

AIR SWITCH ASSEMBLY INSTRUCTIONS

DISPOSER AIR SWITCH ASSEMBLY IS SUPPLIED IN THREE BASIC PARTS:

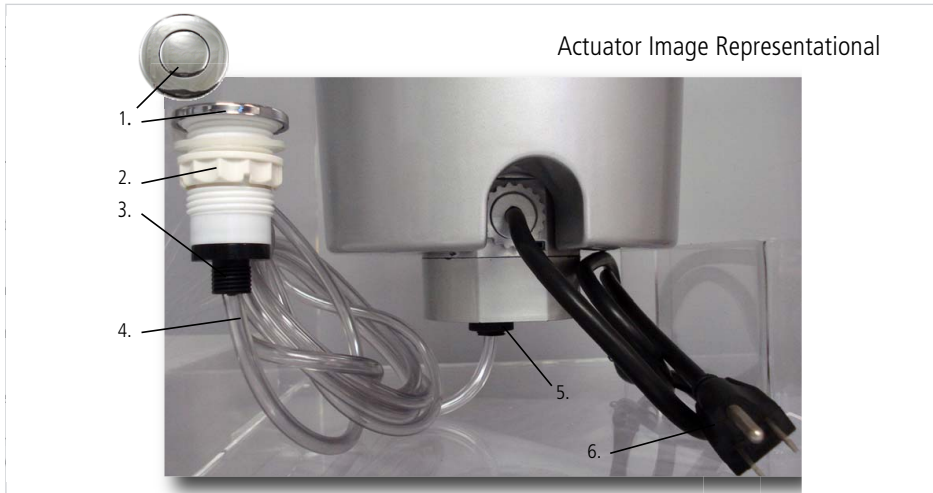
The Actuator which consists of:

1. Actuator Button
2. Actuator Nut
3. Actuator Outlet (Black Threaded portion)

The Air Switch is installed into the base of the disposer. Only the air tube connection nozzle (5) is visible from the outside of the disposer.

Air Tube Assembly which consists of:

4. Air Tube-Clear or black
5. Sensor Inlet nozzle to connect air tube



INSTALLATION AND OPERATING INSTRUCTIONS:

- A. Drill a hole of 33mm to 35mm into the sink or worktop where the Actuator Button (1) is to be placed.
- B. Insert, from the top, the Actuator Outlet (3) through the drilled hole and secure by tightening the Actuator Nut (2).
- C. Firmly connect Air Tube (4): one end to the Actuator Outlet (3) and one end to Sensor Inlet (5).
- D. Plug Disposer Power Cord (6) into main electrical service.
- E. The Air Switch is supplied in the off position. To turn on the disposer, press Actuator Button (1). To turn off, press Actuator Button again.
- F. For use with the wall switch - first plug the disposer power cord into the outlet controlled by the wall switch. Then install the tube and actuator button on the disposer and press the button to place the air switch in the "on" position. Note: The disposer will turn on at this time. Then, remove the tube and button. The disposer can now be controlled with the wall switch.

NOTES:



Caple Service

Fourth Way

Avonmouth

Bristol

BS11 8DW

T: 0117 938 1900

E: service@caple.co.uk

www.caple.co.uk