



## JOYA



## PRODUCT CODE

JOY/GM

## FINISH AVAILABLE

-  Black Steel
-  Copper
-  Gold
-  Gunmetal [shown]
-  Stainless Steel

## TAP FEATURES

- Solid stainless steel with gunmetal finish
- 3 Tap hole installation
- Quarter turn ceramic valves
- Single flow
- Minimum 0.5 bar pressure required

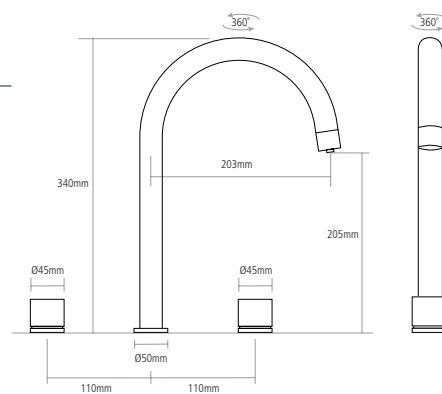
## Features

## FLEXIBLE TAP DIAL INSTALLATION

The dial controls on the Joya and Joya 3-in-1 can be installed up to 30mm from the tap, allowing for more flexible installation.

The hot & cold water dials can also be installed at either side of the tap.

## DIMENSIONS



3 x 35mm worktop cut out required