



INDUCTION DOWNDRAFT EXTRACTOR

PRODUCT CODE

DD810BK

DIMENSIONS

↔ w:800mm

PERFORMANCE

e Energy class A+
Grease absorption A
Annual consumption
24kWh/yr
Max. extraction 570m³/h
Max. Noise Level 70dB

FINISH AVAILABLE

■ Black glass

FEATURES

Hob

- Black glass with stainless steel extractor grille
- Frameless
- Suitable for flush or inset installation
- Invisi touch control with direct access
- 10 power levels [0-9 and Booster]
- Booster function on all zones, including Auto Boost mode
- Timer function per zone / minute minder
- Bridge function
- Grill function
- Auto boost function
- Child safety lock
- Memory recall function
- Residual heat indicators
- Anti-overheat protection
- Anti Over flow
- Automatic safety shut-off
- Auto pan detection
- Preset temperature setting [keep warm 70°C]

Downdraft

- Touch control
- 10 Speeds [0-9 and Boost]
- Auto 10 - 60 minute timer, switch-off after 10mins
- Ducting spigot size 150mm
- Can be ducted or recirculated
- Motor included
- Recirculation ducting kit available
- Recirculation kit available

OPTIONAL EXTRAS

- Recirculation Kit [CAP83CF]
 - Ducting for use with Recirculation Kit [KIT960W]
 - Replacement Charcoal Filter [CAP84CF]
 - Cast iron induction griddle [IGRIDDLE2]
- Visit caple.co.uk for full range

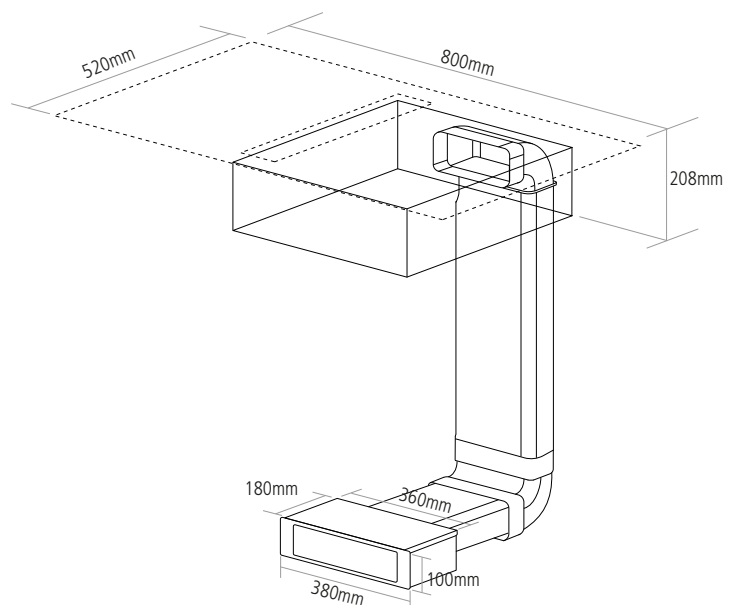
INSTALLATION

- Fuse rating 32A

COOKING OUTPUT

4 Induction Zones

- 190mm 2100W/3000W
- 190mm 2100W/3000W
- 200mm 2300W/3000W
- 160mm 1400W/2100W





INDUCTION DOWNDRAFT EXTRACTOR

