



SENSE UNDERCOUNTER DUAL ZONE WINE CABINET

PRODUCT CODE

Wi6135GM

DIMENSIONS

↔ w:595mm

PERFORMANCE

e Energy class G
 Noise level C
 Energy consumption
 145kWh/yr
 Ambient temperature
 16°C - 32°C
 Temperature range
 upper zone 5°C - 10°C,
 lower zone 10°C - 18°C
 Humidity range >65%RH
 Quiet operation 39dB[A]

FINISH AVAILABLE

■ Gunmetal

GENERAL FEATURES

- One piece gunmetal door
- Shelves can accommodate 750ml Bordeaux, Burgundy and Champagne bottles
- No-frost compressor cooling technology maintains a consistent temperature
- Dual stacked temperature zones, independently controlled [upper zone serving, lower zone storage]
- Touch controls and white LED display
- UV/heat-free white LED lighting [switchable]
- Vibration free
- Adjustable height to fit 100 - 150mm plinth
- Black handle
- Fan circulated cool air for even temperature distribution
- Reversible door

- Heater raises internal temperature when external temperature drops
- Beech shelves
- Upper zone has 2 sliding shelves
- Lower zone has 3 sliding shelves and 1 base shelf
- 100% CFC/HFC free
- Toughened UV protected glass door
- 2 Humidity control water tanks
- Black cabinet interior and exterior
- Recessed for fitting furniture plinth
- Air ventilation through plinth grille
- Supplied with both gunmetal universal plinth grille w:525mm and full width grille

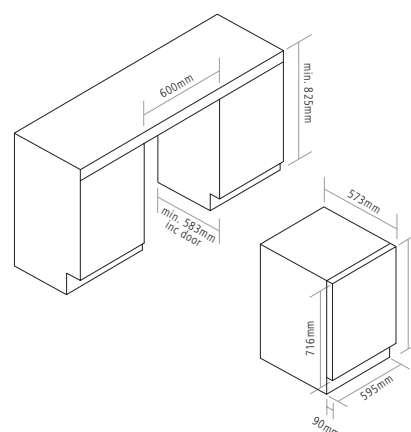
CAPACITY

- 4.73 Cu Ft/134 Litre total net capacity
 - 5.79 Cu Ft/164 Litre total gross capacity
 - Stores max. 46 Bordeaux style wine bottles 750ml [16 upper zone and 30 lower zone]
- Bottle stacking diagrams available at caple.co.uk

OPTIONAL EXTRAS

- 6 Wine labels and holders [WINE LABEL]
 - Stainless steel square handle [HANDLE7]
 - Filler panel [FP600GM]
- Visit caple.co.uk for full range

DIMENSIONS



Features

CHAMPAGNE SHELVES

The easy-slide beech shelves are non-scratch so they won't damage bottle labels. If Champagne is your drink of choice, the slatted design allows you to store larger bottles so you're prepared for any special occasion.