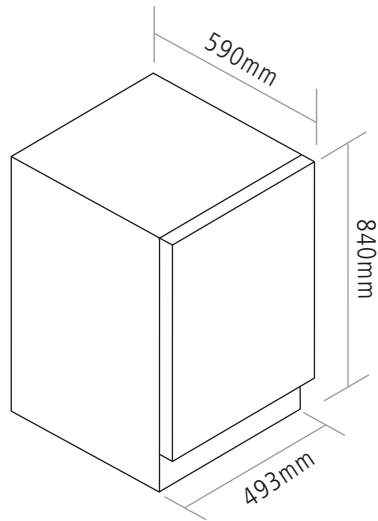


DIMENSIONS



*VENTILATION REQUIREMENTS - PLEASE ALLOW AN 127MM GAP AROUND THE WHOLE APPLIANCE WHEN INSTALLED NEXT TO A WALL, UNIT OR IN AN ALCOVE