



## IN-COLUMN LARDER FRIDGE



### PRODUCT CODE

RiL1796

### DIMENSIONS

h: 1770mm

### PERFORMANCE

**e** Energy class E  
 Noise class C  
 Energy consumption  
 112kWh/yr  
 Max. noise 39dB [A]

### FINISH AVAILABLE

White

### GENERAL FEATURES

- Matches RIF1796 freezer
- Reversible door
- Sliding door installation
- Electronic controls
- Auto defrost
- Top and side LED strip lights
- Super cool
- Caple cool air-flow system
- Caple fresh

### DESIGN

- Deluxe steel trimmed interior
- Transparent plastic drawers and compartments

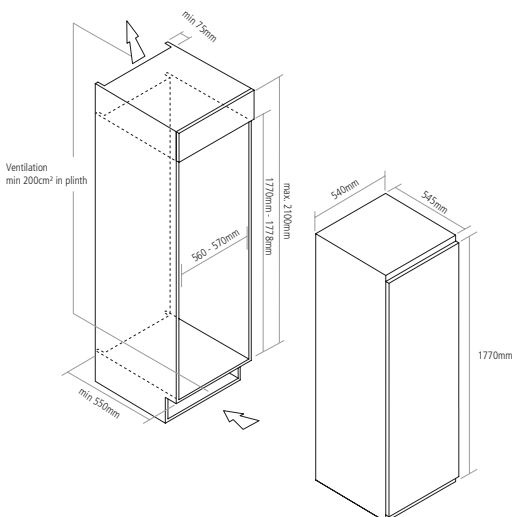
### STORAGE

- 4 Removable glass shelves
- 1 Easy Adjustable door balcony
- 4 Standard door balconies
- 1 Egg tray
- Wine rack
- 1 Humidity controlled drawer
- 2 Crisper drawers
- 1 Crisper cover shelf

### CAPACITY

- 300 Litre total net capacity
- 303 Litre total gross capacity

## DIMENSIONS



## Features

### FRUIT & VEGETABLE PRESERVATION

The new Caple Fresh preservation technology inside the crisper drawer, ensures that your fruit and vegetables stay fresher and tastier for longer. This innovative new system helps to eliminate the natural gases that are produced during the ripening and ageing process, preserving them for longer.

Also, the Caple Fresh preserver does not need to be replaced. It can be regenerated by exposing it to sunlight for one day a year.

