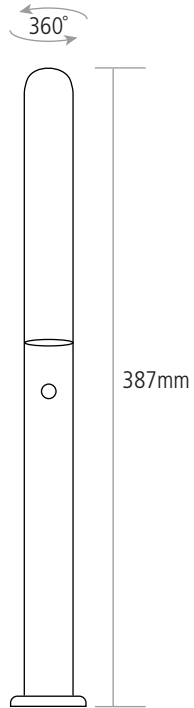
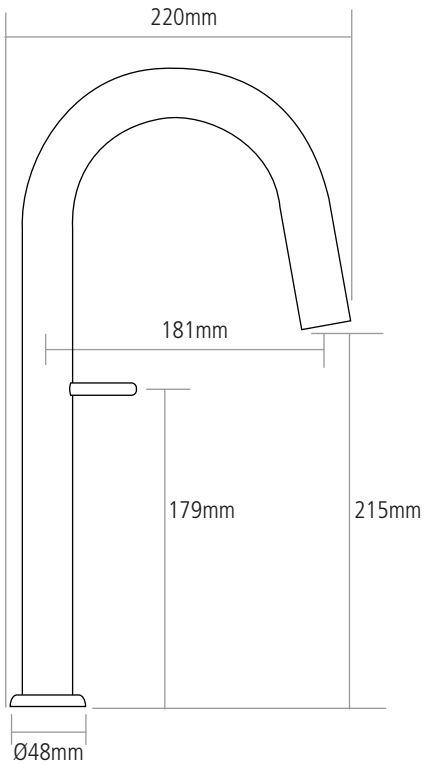


# DIMENSIONS

---



Worktop cut-out 35mm required