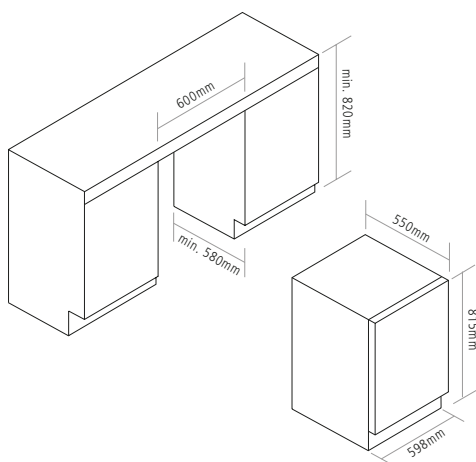




DIMENSIONS



FULLY INTEGRATED DISHWASHER

PRODUCT CODE

Di642

FUNCTIONS

- Delayed timer 1-24hr
- Half load

DIMENSIONS

← w:600mm

PERFORMANCE

e Energy class C
Noise class C
Max. noise level 47dB
Energy consumption per
100 cycles 85kWh/yr
Water consumption
[economy] 11 Litres

FEATURES

- 14 Place settings
- Auto opening door to assist drying
- Max. plate diameter 30cm
- Stainless steel inner door and interior
- Top cutlery tray
- 3 spray levels
- Upper wine glass rack
- Titanium grey baskets
- Cold water connection
- Hidden heating element
- Easy adjustable upper basket
- Anti-bacterial filter system
- Electronic salt and rinse aid warning light
- 6 Level water softening system
- Water overflow protection system

FINISH AVAILABLE

■ Stainless steel control panel with electronic display

PROGRAMMES

7 Programmes

Universal/55°C
Intensive/65°C
Eco/50°C
90min/55°C
Glass/50°C
Rapid/40°C
Pre-Wash

INSTALLATION

- Voltage 230V
- Rated load 1.93kW
- Fuse rating 13A