



FLUTIER

PRODUCT CODE

FLT/BK

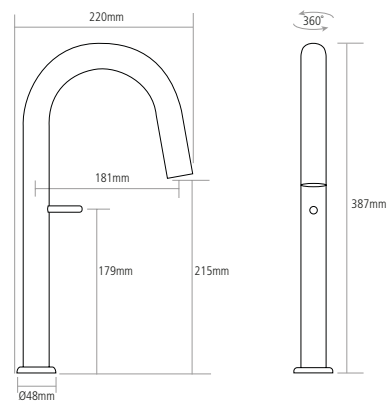
FINISH AVAILABLE

 Black with copper lever and base

TAP FEATURES

- Monobloc design
- Progressive valve
- Minimum 0.5 bar pressure required
- Single flow

↔ DIMENSIONS



Worktop cut out 35mm required