



MODE 175 INSET OR UNDERMOUNTED



PRODUCT CODE

MODE175

FINISH AVAILABLE

 Stainless steel

FEATURES

- 3.0mm frame with 1.2mm brushed stainless steel
- 1 Punched tap hole
- 2 90mm waste outlets for a basket strainer wastes
- Suitable for a waste disposer
- Wastes and overflow included

PLUMBING OPTION

- Plumbing kit CPK200

FITTING OPTIONS



Inset

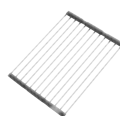


Undermounted

ACCESSORY OPTIONS



Basket strainer waste decorative cover
CWC2



Stainless Steel foldmat
FMAT/SS

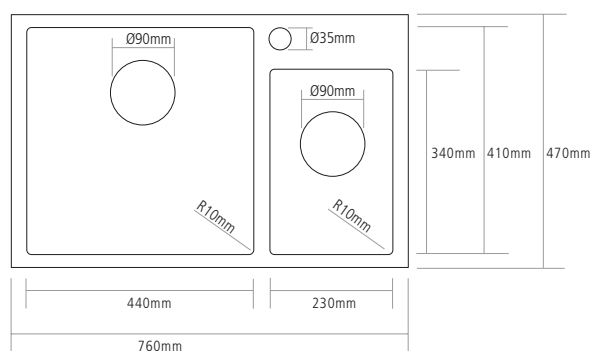


Stainless steel colander
CSB31SS



Roweca anthracite chopping board
VACB

DIMENSIONS



BOWL DEPTH: 220MM

SMALL BOWL DEPTH: 200MM

MIN. BASE UNIT: 800MM

NOTE: For cut-out shape go to www.caple.co.uk for template