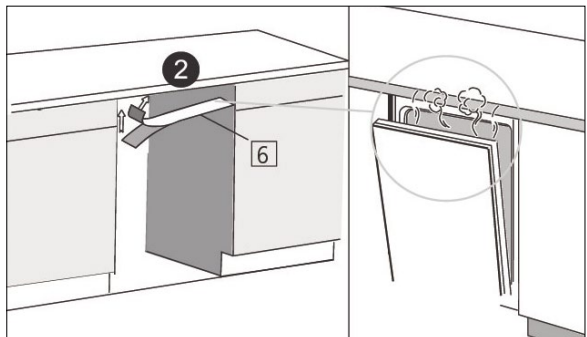
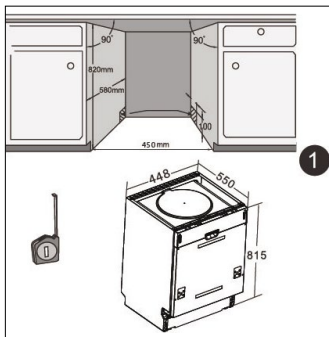


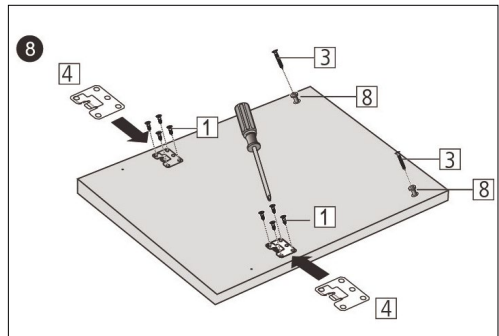
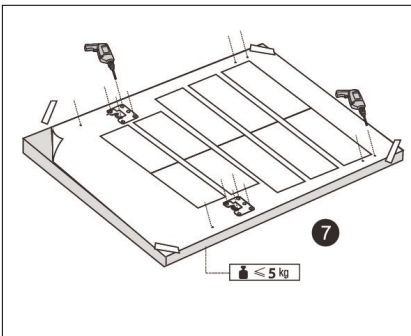
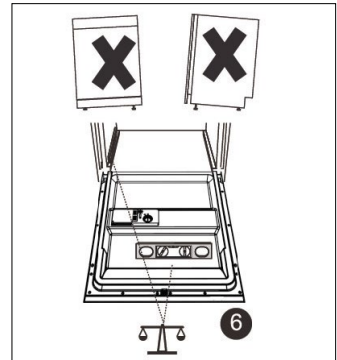
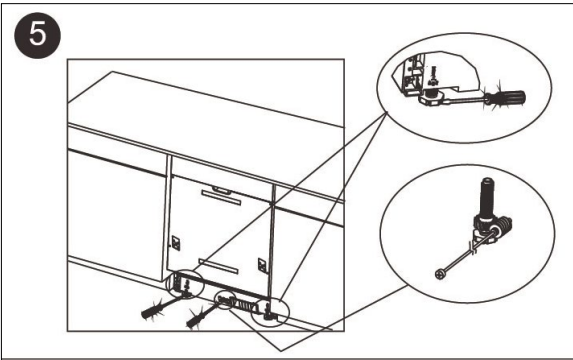
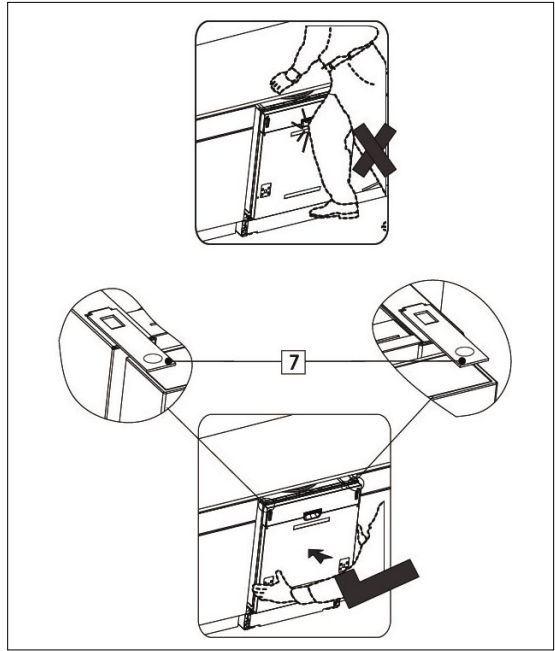
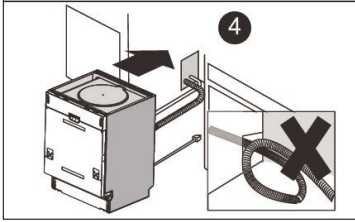
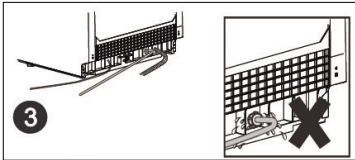


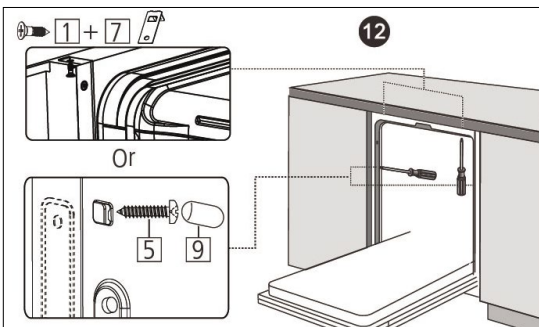
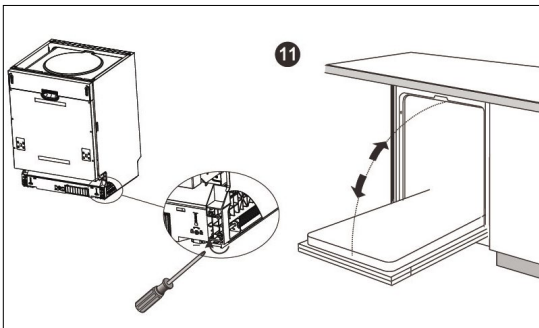
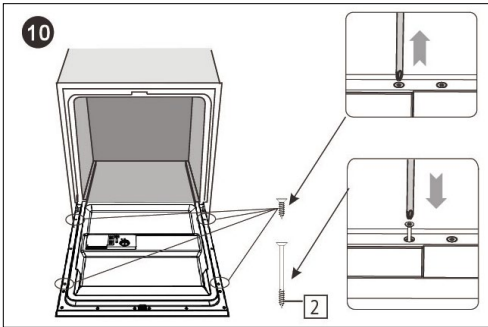
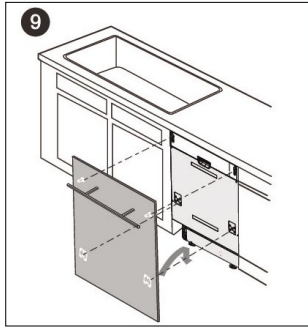
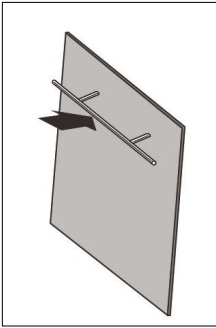
# Dishwasher Installation.

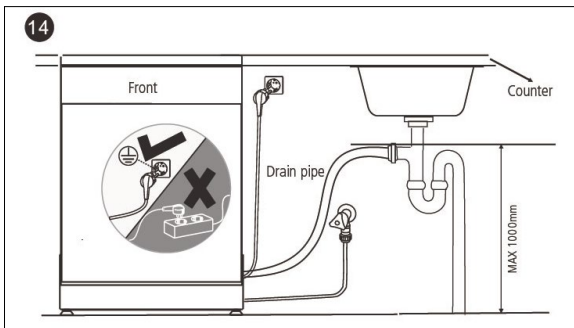
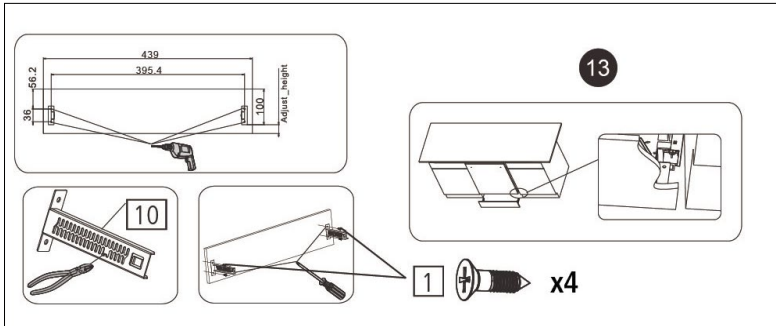
## DI482 INSTALLATION

1	ST4*14	x14	6	x1	
2	ST3.5 x 45	x4	7	x2	
3	ST3.5 x 25	x2	8	x2	
4		x2	9	x2	
5	ST3.5 x 16	x2	10	x2	



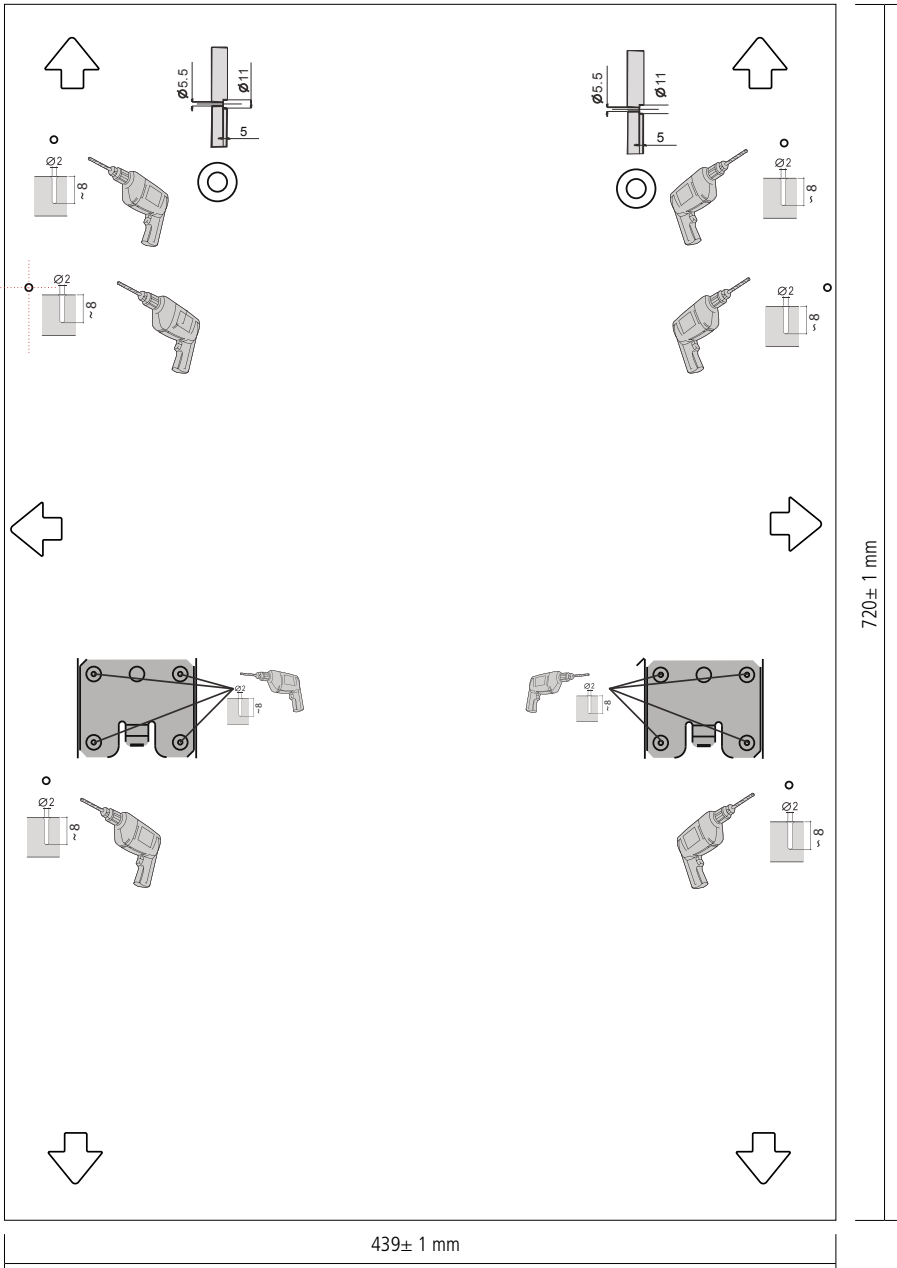






## CUT-OUT DIMENSIONS

Please note image is not to scale.



Please refer to printed template supplied with dishwasher for correct scale.