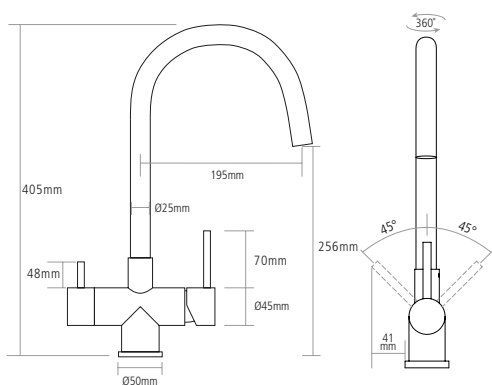




VAPOS 2 3IN1



↔ DIMENSIONS



Worktop cut out 35mm required

PRODUCT CODE

VAP2/3IN1/GM

FINISH AVAILABLE

-  Black Steel
-  Copper
-  Gold
-  Gunmetal [shown]
-  Solid Stainless Steel

GENERAL FEATURES

- Supplies fresh cold water, regular hot water and filtered 98°C steaming water
- WRAS approved
- Water conditioning technology providing exceptional accuracy for scale and acidity control for increased boiler protection, plus increased food and beverage quality.
- 3.5Ltr tank, up to 120 cups per hour
- Temperature range of boiler 25°C to 98°C

TAP FEATURES

- Minimum 0.5 bar pressure required
- Safety mechanism for steaming water control
- Cool touch spout
- Separate flow for steaming water

OPTIONAL EXTRAS

- PURIT3 Replacement filter
 - FILTERMETER Digital water capacity meter
- Available to buy online www.caple.co.uk

Features



PERFECT CUP OF TEA

Due to the technologically advanced filtration system all the water's impurities are reduced, even in hard water areas. Fantastic filtration means you get the best quality tea every time.



BOILER 2

New pressurised boiler with a larger capacity of 3.5L (was 2.4L)