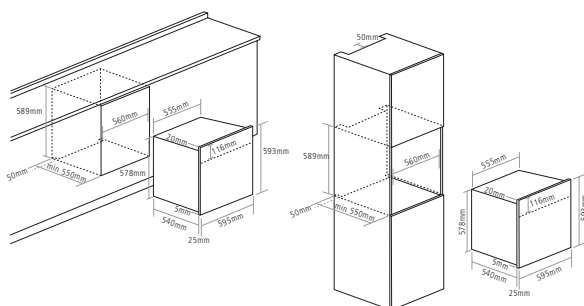




SENSE ELECTRIC PYROLYTIC SINGLE OVEN



DIMENSIONS



Features

PYROLYTIC CLEANING

The Pyrolytic technology works by heating the oven to 475°C, causing even hidden & baked-on grime to carbonise into a fine ash. It saves you vast amounts of elbow grease, & actually improves oven efficiency over time too.

PRODUCT CODE

S C2402

DIMENSIONS

↔ w:600mm

PERFORMANCE

e Energy class A

FINISH AVAILABLE

■ Black glass

FUNCTIONS

14 Functions

- Light
- Base heat
- Conventional heat
- Fan heat
- Turbo grill plus fan heat
- Turbo conventional heat
- Full grill
- Eco grill
- Turbo grill
- Turbo base heat
- Turbo eco grill
- Pyrolytic self cleaning
- Defrost
- Boost [rapid preheat]

OVEN FEATURES

- MotionHeat+ technology
- 67 Litre capacity
- Full touch control
- Programmable electronic timer
- Pyrolytic self cleaning
- Easy clean enamel interior
- Two internal lights
- Closed door grilling
- Easy to remove chrome shelf racks
- Quadruple glazed door
- Full width inner door glass
- Tangential cooling fan

DESIGN

- Stainless steel square bar handle
- White LED display

ACCESSORIES

- 2 Safety-stop shelves
- 1 Grill pan with handle
- 2 sets of full extension telescopic runners

OPTIONAL EXTRAS

- 1 Grill rack [ERACKPYRO]
 - 1 Wire shelf [SHELF4]
 - 1 Baking tray [TRAY3]
 - 1 Pizza stone [PIZZASTONE]
 - 1 Pizza stone [PIZZAPEEL]
 - 1 Air fry tray [AIRFRY]
 - Pair of full extension telescopic runners [CAPRACK8]
- Visit caple.co.uk for full range

INSTALLATION

- Rated load 3.22kW
- Fuse rating 16A