



## CORONA CEILING HOOD

### PRODUCT CODE

COR540SL

### FEATURES

- Motor included
- Remote control included
- Perimetrical extraction for reduced noise and increased pressure resulting in improved motor performance
- Auto timer, switch-off after 10mins
- 1 x 14W LED [dimnable]
- 4 Speeds
- Stainless steel grease filter
- Required ducting size 150mm
- Ducted only installation

### DIMENSIONS

↔ w: 540mm [light 750mm]

### PERFORMANCE

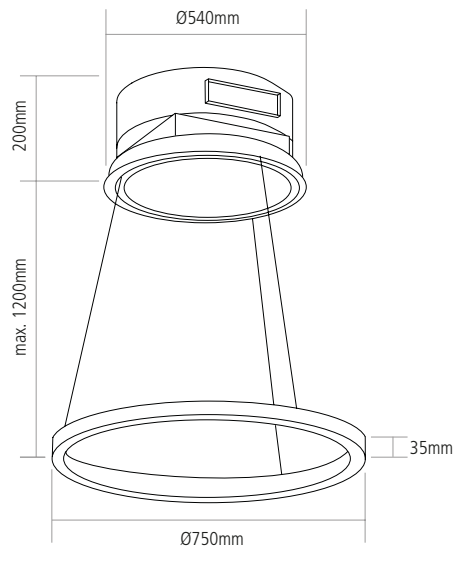
**e** Energy class B  
 Fluid Dynamic Efficiency B  
 Light Efficiency D  
 Grease Absorption F  
 Annual Consumption 62kWh/yr  
 Max. extraction 540m<sup>3</sup>/h  
 Max. noise level 62dB[A]

### FINISH AVAILABLE

- Silver light ring
- White ceiling extractor



### DIMENSIONS



## Features

### ILLUMINATED LIGHT RING

The seamless integration of lighting and extraction puts the Corona in a league of its own.  
 The 750mm wide, halo glow not only illuminates the hob below, it also creates the perfect ambience when entertaining.

For installation create a false ceiling with a round niche of 510mm, with minimum height of 220mm.