



In-Column Wine Cabinet Instruction Manual

WC1792 & WC1796



Contact Caple on 0117 938 7420 for spare parts or www.caple.co.uk

CONTENTS

Introduction	3
Safety Instructions	4
Environmental Protection	7
Installation	8
Operating Your Wine Cabinet	10
Control Panel	11
Functions	12
Shelves	13
How To Change The Door Opening	14
Built-In Installation And Product Dimensions	16
Installing The Wine Cabinet	17
Installing The Fixing Brackets	19
Care and Maintenance	21
Troubleshooting Guide	23
Recommended Temperatures	25
Caple Contact Details	28

INTRODUCTION

Thank you for choosing this Caple Wine Cabinet.

To ensure that you get the best results from your new wine cabinet, we strongly suggest that you read this instruction manual thoroughly before use. If treated with care, your Caple product should give you years of trouble-free use.

To register ownership, please ensure you complete and return the guarantee card supplied with the appliance or visit www.caple.co.uk and register here.

This instruction manual is designed to provide you with all the required information related to the installation, use and maintenance of the appliance.

Please read this manual carefully before using your appliance. It contains important safety advice; it explains how to use and look after your appliance so that it will provide you with many years of reliable service.

Should a fault arise, please first consult the "Troubleshooting" section. You can often rectify minor problems yourself, thus saving unnecessary service costs.

Please keep this manual in a safe place and pass it on to new owners for their information and safety.

WARNINGS

- To prevent damaging the door gasket, make sure the door is fully open when pulling shelves out of the rail compartment.
- The appliance must be positioned so that the plug is accessible. Release the electric cord and move your cabinet to its final location. Do not move your cabinet while loaded with wine as you may distort the body.
- The wine cabinet should be installed in a suitable place in order to avoid touching the compressor.
- After unpacking, make sure that the appliance is in perfect order. If you have any doubt, do not use it and contact your retailer.
- If the supply cord is damaged, it must be replaced by a Caple service agent or a similarly qualified person in order to avoid a hazard.
- This product is not designed for commercial use, it is a household appliance only.
- This appliance is intended to be used in household and similar applications such as:
 - › Staff kitchen areas in shops, offices and other working environments.
 - › Farm Houses.
 - › By clients in hotels, motels and other residential type environments.
 - › Bed and breakfast type environments.
- This appliance is intended to be used exclusively for the storage of wine.

IMPORTANT

Caple cannot be held liable for any non compliance with these instructions.

ELECTRICAL SHOCK HAZARD

- Read all instructions before using the wine cabinet.
- DANGER or WARNING: Risk of child entrapment.
- Before you throw away your old wine cabinet: Take off the door, leaving the shelves in place so that children cannot easily climb inside.
- Never allow children to operate, play with, or crawl inside the appliance.
- Never clean appliance parts with flammable fluids. The fumes can create a fire hazard or explosion.
- Do not store or use gasoline or any other flammable vapours and liquids in the vicinity of this or any other appliance. The fumes can create a fire hazard or explosion.
- The refrigerant of this appliance is R600a, flammable and explosive articles should not be put in or near the cabinet, to avoid the risk of fire or explosion.
- Cleaning and user maintenance shall not be made by children without supervision.
- When positioning the appliance, ensure the supply cord is not trapped or damaged.

- This appliance can be used by children aged from 8 years and above and persons with reduced physical, sensory or mental capabilities or lack of experience and knowledge if they have been given supervision or instruction concerning use of the appliance in a safe way and understand the hazards involved. Children shall not play with the appliance.
- Do not locate multiple portable socket-outlets or portable power supplies at the rear of the appliance.
- Do not use plug adapter.
- Store wine in sealed bottles.
- Do not overload the cabinet.
- Do not open the door unless necessary.
- Do not cover shelves with aluminium foil or any other shelf material which may prevent air circulation.
- Should the wine cabinet be stored without use for long periods it is suggested, after careful cleaning, to leave the door ajar to allow air to circulate inside the cabinet in order to avoid possible formations of condensation, mould or odours.
- Keep ventilation openings, in the appliance enclosure or in the built-in structure, clear of obstruction.
- Do not damage the refrigerant circuit.
- Do not use electrical appliances inside the storage compartments of the appliance, unless they are the type recommended by the manufacturer.



Symbol ISO 7010 W021

Warning; Risk of fire / flammable materials



ENVIRONMENTAL PROTECTION

Waste electrical products should not be disposed of with household waste. Please recycle where facilities exist. Check with your Local Authority or retailer for recycling advice. This appliance is marked according to the European Directive on Waste Electrical and Electronic Equipment (WEEE).

By ensuring this product is disposed of correctly, you will help prevent potential negative consequences for the environment and human health, which could otherwise be caused by inappropriate waste handling of this product. The symbol on the product indicates that this product may not be treated as household waste. Instead it shall be handed over to the applicable collection point for the recycling of electrical and electronic equipment. Disposal must be carried out in accordance with local environmental regulations for waste disposal.

For more detailed information about treatment, recovery and recycling of this product, please contact your local council, your household waste disposal service or the retailer where you purchased the product.

CE DECLARATIONS OF CONFORMITY **CE**

This appliance has been manufactured to the strictest standards and complies with all applicable legislation, Low Voltage Directive (LVD) and Electromagnetic Compatibility (EMC).

UKCA DECLARATIONS OF CONFORMITY **UK CA**

This appliance has been manufactured to the strictest standards and complies with all applicable legislation.

TECHNICAL FICHE

This appliance conforms to all current and applicable energy regulations. To view the Technical Fiche that supports the energy labelling data, please visit the product page on our website www.caple.co.uk

WARRANTY

Your new appliance is covered by warranty. The warranty card is enclosed - if it is missing, you must provide the following information to your retailer in order to receive a replacement: date of purchase, model and serial number (placed on the inside of the appliance storage drawer). Registration can also be completed online by visiting www.caple.co.uk.

Ensure you keep your warranty card safe, you may need to show it to Caple Service together with proof of purchase.

If you fail to show your warranty card you will incur all repair charges.

Spare parts are only available from Caple Service and spare parts authorised centres.

INSTALLATION

BEFORE USING YOUR WINE CABINET

- › Remove the exterior and interior packing.

IMPORTANT:

Before connecting the wine cabinet to the power source, let it stand upright for at least 12 hours. This will reduce the possibility of a malfunction in the cooling system from handling during transportation.

- › Clean the interior surface with lukewarm water using a soft cloth.
Make sure to turn the unit off and unplug it from the outlet.

NOTE

To protect the appliance in transit and delivery the door is packed tightly against the cabinet. When first installed this can mean the door seal appears thinner on one side of the door due to compression, this is normal and once out of the box it will relax over a short period of time and the door will return to the normal position. If you wish to speed up the process you can gently warm the seal with a hair dryer on a low temperature setting. This can help relax the seal helping it return to normal thickness a little faster.

INSTALLATION OF YOUR WINE CABINET

- › Place your wine cabinet on a floor that is strong enough to support it when it is fully loaded.
- › Ensure it is perfectly level, as this will minimise any vibrations.
- › This appliance uses flammable refrigerant. Never damage the cooling pipework during transportation.
- › Locate the wine cooler away from direct sunlight and sources of heat (ovens, hobs, heaters, radiators, etc.). Never clean appliance parts with flammable fluids. The fumes can create a fire hazard or explosion. When disposing your appliance, please choose an authorised disposal site.
- › Avoid locating the unit in moist areas.
- › It is fitted with a power cord having an earth wire terminating in a 13amp plug.

- › Ensure the product is correctly ventilated (see page 16).
- › Consult a qualified electrician or service engineer if the earthing instructions are not completely understood.
- › Plug the wine cabinet into an exclusive, properly installed-grounded wall outlet. Do not under any circumstances cut or remove the third (ground) pin from the plug. Any questions concerning power and/or grounding should be directed toward a certified electrician or Caple service.

WARNING

Incorrect earthing can result in the risk of electric shock.

OPERATING YOUR WINE CABINET

Please use the cabinet within ambient temperatures between 16-32°C, if the ambient temperature is higher or lower than this, it will cause the temperature to fluctuate in the cabinet, possibly preventing it from reaching 5-18°C.

SETTING THE TEMPERATURE

The temperature setting range for each zone is as below:

Upper compartment: 5 - 18°C

Middle compartment: 5 - 10°C

Lower compartment: 10 - 18°C

When the system enters the temperature set up. With each press on the \triangle or ∇ key, the temperature setting of the relevant zone will adjust accordingly.

If you wish to view the actual temperature inside the wine cabinet, please press the \triangle or ∇ key and hold for 3-5 seconds. The actual temperature of the zone will be displayed on the control board. After 5 seconds the temperature will return to display the set temperature.

Flashing LED = Cabinet Temperature

Steady LED = Set Temperature

NOTE

If the unit is unplugged, power lost or turned off, you must wait 3 to 5 minutes before restarting the unit. If you attempt to restart before this time delay, the wine cabinet will not start.

When you use the wine cabinet for the first time or you restart the cabinet after having been shut off for a long time, there could be a few degrees variance between the temperature you select and the one indicated on the LED readout. This is normal and it is due to the length of the activation time. Once the wine cabinet has been running for a few hours everything will be back to normal.


CONTROL PANEL

CONTROL PANEL FOR UPPER AND MIDDLE ZONES




TOUCH CONTROL KEYS

 Switches the interior light ON/OFF

 To switch the appliance ON/OFF
(press and hold this buttons for approximately 3 seconds)

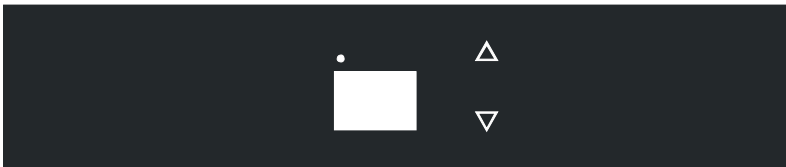
 This button controls the upper compartment temperature zone.

Each press of the button will decrease the temperature in increments of 1°C. When the temperature reaches the minimum 5°C it jumps up to the maximum of 10°C.


 This button controls the lower compartment temperature zone.

Each press of the button will decrease the temperature in increments of 1°C. When the temperature reaches the minimum 5°C it jumps up to the maximum of 18°C.


THE LOWER CONTROL PANEL




 Press to raise the temperature in 1° increments.

 Press to lower the temperature in 1° increments.

INTERNAL LIGHT

In order to reduce energy consumption, the LED light within this wine cabinet will automatically switch off after 10 minutes. If you would prefer the LED light to remain on continuously, this is possible. Please press and hold the  key for 5 seconds, the display will show "LP". After 4 seconds the display will revert back to normal and the light will remain on until manually switched off.

If you would like to revert back and conserve energy (recommended), press and hold the  key for 5 seconds, the display will show "LF". After 4 seconds the display will revert back to normal, and the light will automatically switch off after 10 minutes.

LIGHT SOURCE ENERGY CLASS

This product contains a light source of energy efficiency class G

FUNCTIONS

TEMPERATURE MEMORY FUNCTION

In the event of a power interruption, the wine cabinet can remember the previous temperature setting, and when the power is recovered, the cabinet temperature will go back to the same setting as when the power went off.

TEMPERATURE ALARM

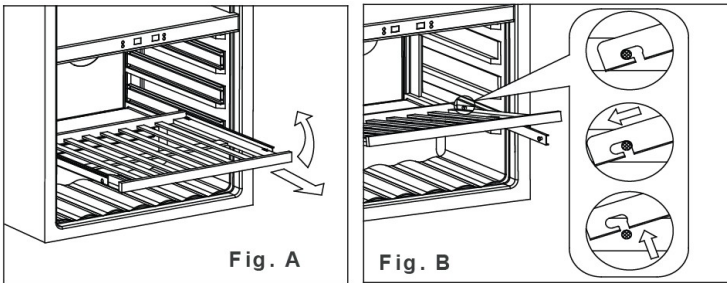
If inner temperature is higher than 23°C, "HI" is shown on the display panel, and the alarm will sound after one hour. It will inform that the inner temperature is too high, please check the reason. If inner temperature is lower than 0°C, "LO" is shown on the display panel, the alarm will sound and the malfunction indicator light will be on at the same time.

SHELVES

To prevent damaging the door gasket, make sure to have the door fully opened when pulling shelves out of the rail compartment.

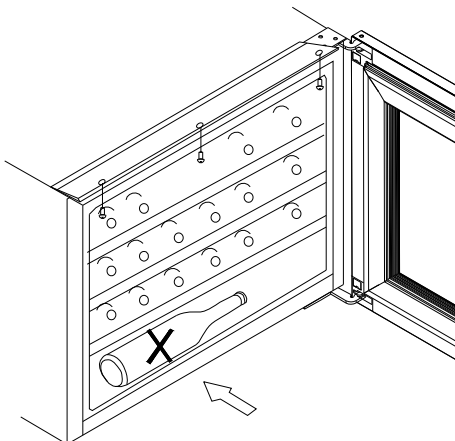
To remove the shelves:

1. Fully extend the shelf you wish to remove (Fig. A)
2. Lift the front of the shelf up (Fig. A)
3. Holding the shelf runners, push the shelf in, then up to release from the rear dampers (Fig. B)



CAUTION

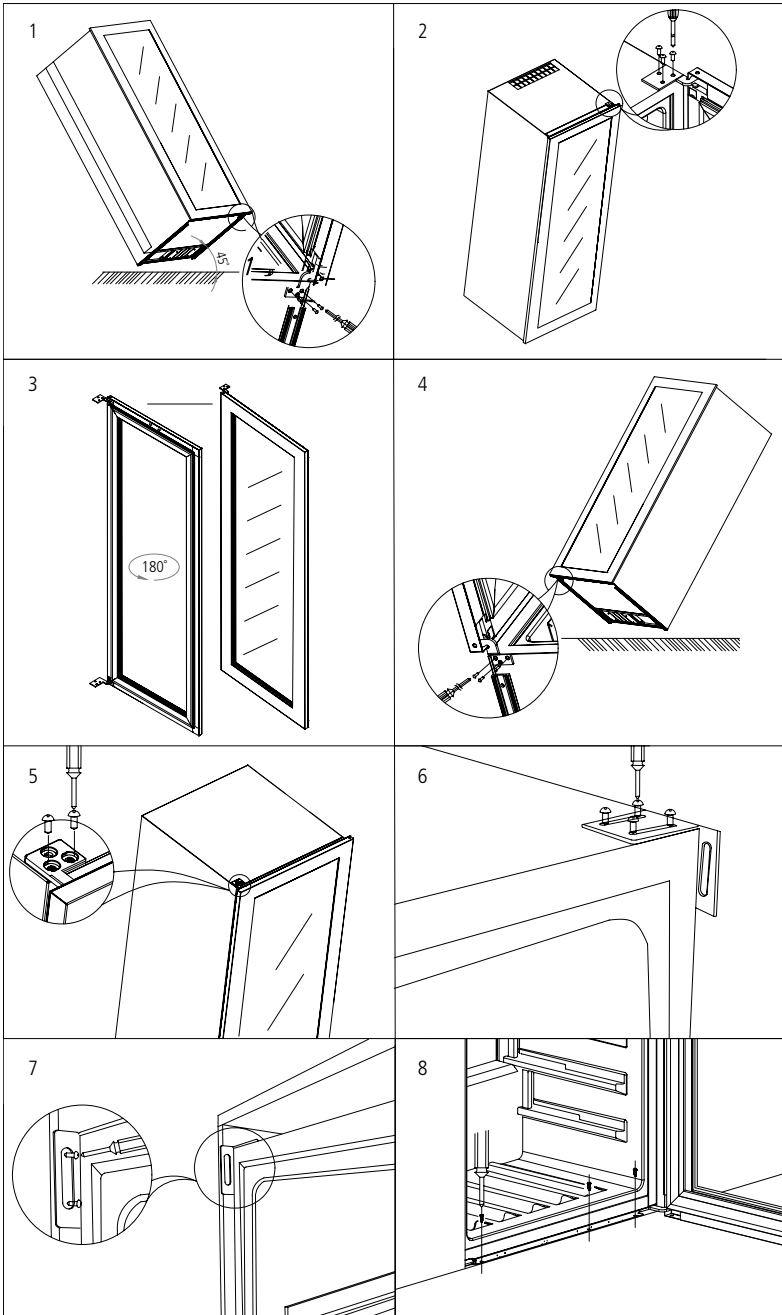
Do not store bottles crossways on the interior floor. Otherwise, bottles may fall out when the appliance door is opened and this may cause injury or material damage.



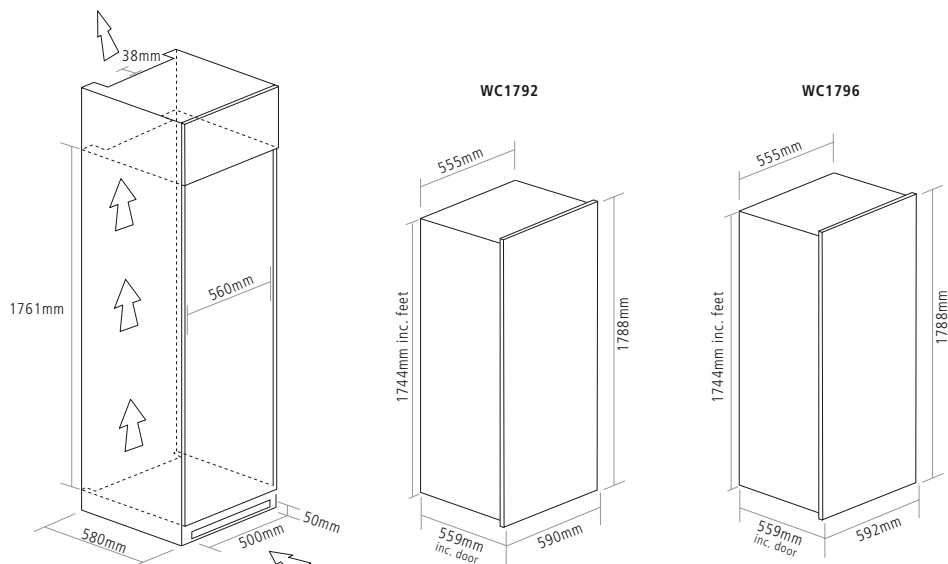
HOW TO CHANGE THE DOOR OPENING

This appliance has reversible doors but is delivered with a right hinged door. The left hand hinge kit comes with the unit (in the box), should you wish to reverse the hinge on your unit follow the directions below:

1. Tilt the wine cooler by 45 degrees and remove the lower right hinge screws with a screwdriver (Fig.1).
2. Level the wine cooler, hold the door and remove the upper right hinge screws with a screwdriver. Remove the door and place down safely. Rotate the door 180 degrees (Fig.2 and Fig.3).
3. Insert screws through the hinges into the left-hand side hinge screw holes and fix into position (Fig.4 and Fig.5).
4. Take out the appropriate top fixing bracket from the accessory bag (depending on which side the door is hinged), and fix onto the wine cooler (Fig.6).
5. Put the wine cooler into the kitchen cabinet, and fix the screws through the top corner fixing bracket and also the bottom fixing bracket to secure it into place (Fig.7 and Fig.8).



BUILT-IN INSTALLATION AND PRODUCT DIMENSIONS

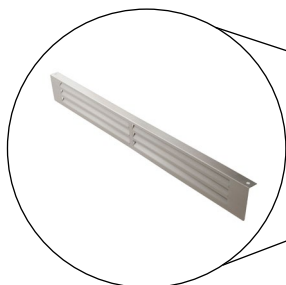


Please note: once installed the appliance door may not sit completely flush with the kitchen furniture door
Dimensions may vary +/- 2mm due to manufacturing tolerances

NOTE:

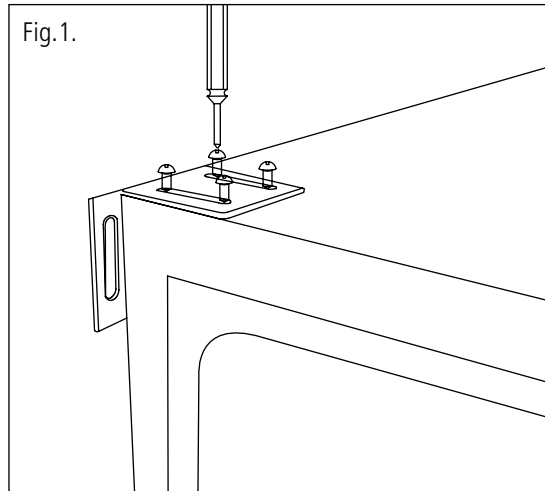
The correct ventilation requirements must be followed.

GRILL/SENSE600 can be used to ventilate the kitchen plinth, this can be purchased directly from www.caple.co.uk.



INSTALLING THE WINE CABINET

1. Carefully unbox the cabinet and place on a flat, level floor.
2. If the door handle needs to be changed, do this before beginning the installation process (see page 8).
3. The corner fixing brackets supplied in the accessories bag should be fitted to the top corners, choosing the appropriate bracket depending on which side you are fitting. Place on the top corner and fix to the wine cabinet with screws (see Fig. 1).

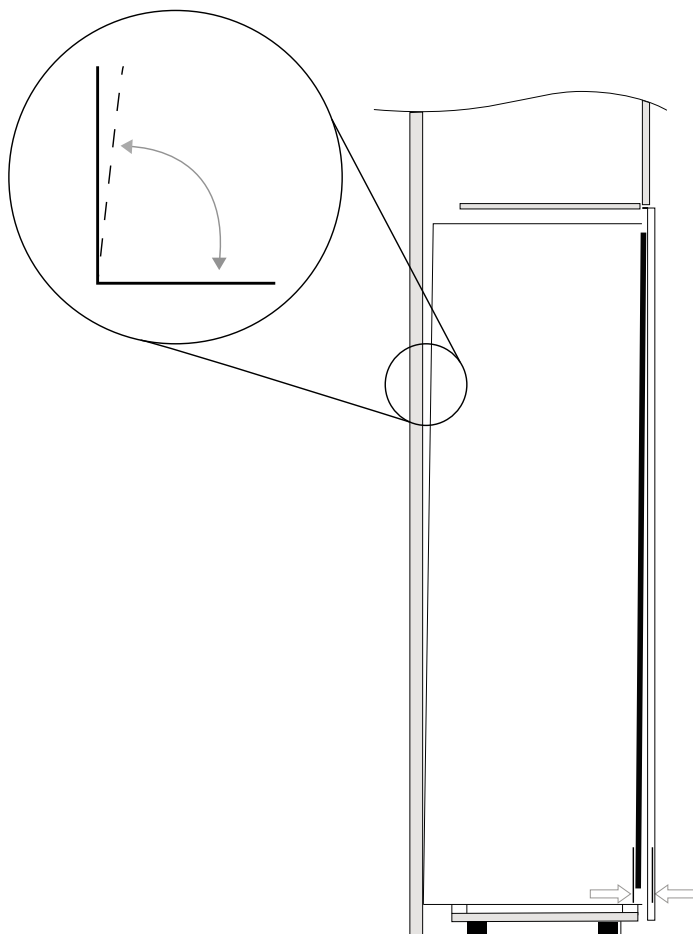


The corner bracket fixing positions can be adjusted to allow for correct alignment dependent on your specific installation.

4. Using two people, carefully lift the appliance and place it into the furniture aperture.

NOTE:

It is important that the furniture cabinet is completely square and the base is level. If it is not level the product may appear to lean, this is not a fault of the product and the installation must be corrected (see Fig. 2).



5. Once the product is correctly located in the cabinet, it is important that the feet are adjusted to level the product.

NOTE:

The door may appear bowed if the feet are not correctly adjusted, if incorrect pressure is applied to the front feet it can force a slight bow into the door. If this can be seen, continue to adjust the feet until this can no longer be noticed.

6. Once the product is correctly located and levelled, the fixing brackets can be fixed to the cabinet (see INSTALLING THE FIXING BRACKETS).

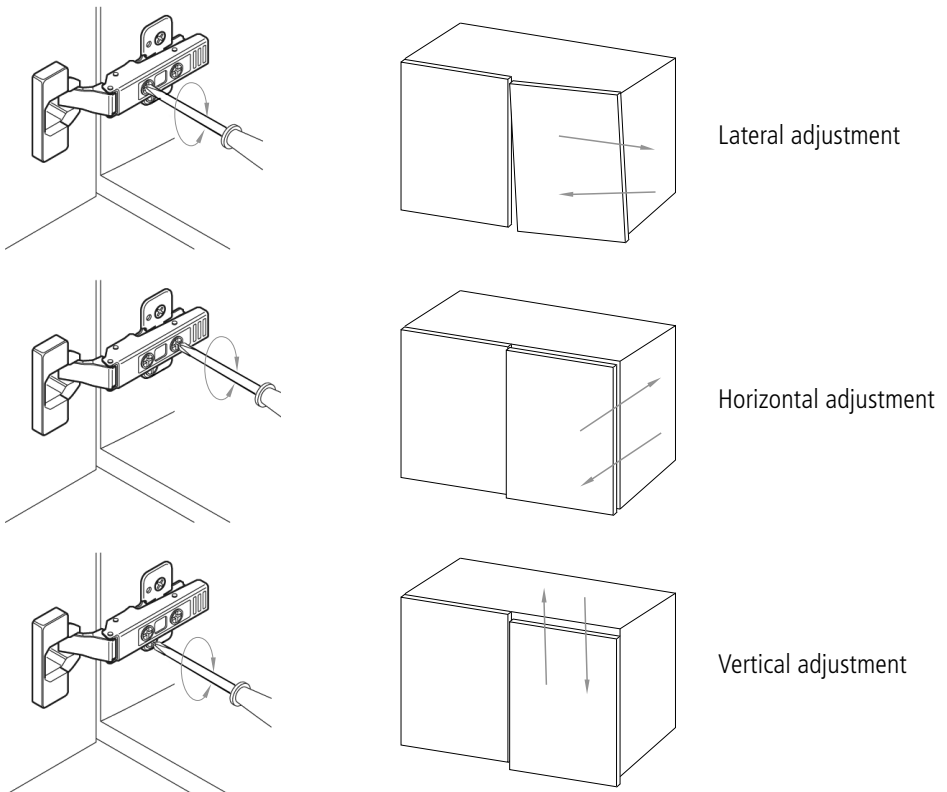
INSTALLING THE FIXING BRACKETS

1. Before the final fix of the wine cabinet, again ensure the product is correctly levelled and the door can be opened without binding on the kitchen carcass. If when opening the door, it binds, this suggests the appliance has been pushed slightly too far back in the furniture and it should be pulled forward before fixing into position.

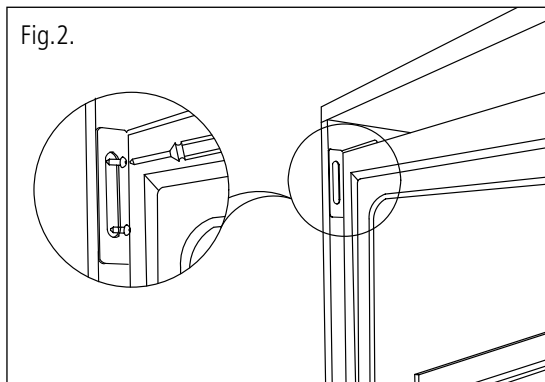
NOTE:

This product is an appliance and is not designed to sit perfectly flush with all furniture doors. The glass door may protrude further than the kitchen cabinet doors located either side of the wine cabinet. In some cases, this can be reduced by adjusting the hinges on the kitchen furniture doors to bring them closer to the wine cabinet door depth (Fig. 1).

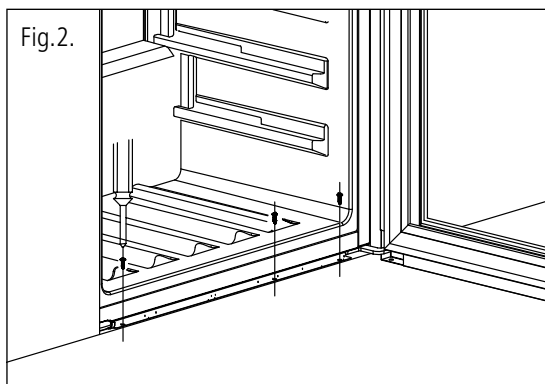
Fig.1.



2. Once the wine cabinet has been installed into the kitchen cabinet and correctly positioned, screw the bracket into the side of the kitchen cabinet to fix into position (Fig.2).



3. Finally, place the screws into the bottom fixing bracket and screw directly into the base of the kitchen cabinet below. This will firmly secure your wine cabinet into position (Fig.3).



CARE AND MAINTENANCE

CLEANING YOUR WINE CABINET

- › Turn off the power, unplug the appliance, and remove all items including shelves and rack.
- › Wash the inside surfaces with a warm water and baking soda solution. The solution should be about 2 tablespoons of baking soda to 2 pints of water.
- › Wash the shelves with a mild detergent solution.
- › Wring excess water out of the sponge or cloth when cleaning area of the controls, or any electrical parts.
- › Wash the outside cabinet with warm water and mild liquid detergent. Rinse well and wipe dry with a clean soft cloth.

POWER FAILURE

Most power failures are corrected within a few hours and should not affect the temperature of your appliance if you minimise the number of times the door is opened. If the power is going to be off for a longer period of time, you need to take the proper steps to protect your contents.

HOLIDAY

SHORT HOLIDAYS: Leave the wine cabinet operating during holidays of less than three weeks.

LONG HOLIDAYS: If the appliance will not be used for several months, remove all items and turn off the appliance. Clean and dry the interior thoroughly. To prevent odour and mould growth, leave the door open slightly (blocking it open if necessary).

MOVING YOUR WINE CABINET

- › Remove all items.
- › Securely tape down all loose items (shelves) inside your appliance.
- › Turn the adjustable leg up to the base to avoid damage.
- › Tape the door shut.
- › Be sure the appliance stays secure in the upright position during transportation. Also protect outside of appliance with a blanket, or similar item.

ENERGY SAVING TIPS

The wine cabinet should be located in the coolest area of the room, away from heat producing appliances, and out of the direct sunlight.

CLOSING THE DOOR

Close the door with care as slamming the door puts excess stress on the appliance and can cause the door to bounce open slightly. If this is not noticed, it can cause excess moisture to build up in the cabinet which in extreme cases can lead to the evaporation tray overflowing.

TROUBLESHOOTING GUIDE

You can solve many common wine cabinet problems easily, saving you the cost of a possible service call. Try the suggestions below to see if you can solve the problem before calling Caple Service.

PROBLEM	POSSIBLE CAUSE
The wine cabinet does not operate	<ul style="list-style-type: none"> Not plugged in. The appliance is turned off. The circuit breaker tripped or a blown fuse.
The wine cabinet is not cold enough	<ul style="list-style-type: none"> Check the temperature control setting. External environment may require a higher setting. The door is opened too often. The door is not closed completely. The door gasket does not seal properly.
The compressor turns on and off frequently	<ul style="list-style-type: none"> The room temperature is hotter than normal. A large amount of contents has been added to the wine cabinet. The door is opened too often. The door is not closed completely. The temperature control is not set correctly. The door gasket does not seal properly.
The light does not work	<ul style="list-style-type: none"> Not plugged in. The circuit breaker tripped or a blown fuse. The bulb has burned out. The light button is "OFF".
Vibrations	<ul style="list-style-type: none"> Check that the appliance is even
The Wine cabinet seems to make too much noise.	<ul style="list-style-type: none"> The rattling noise may come from the flow of the refrigerant, which is normal. As each cycle ends, you may hear gurgling sounds caused by the flow of refrigerant in your wine cabinet. Contraction and expansion of the inside walls may cause popping and crackling noises. The wine cabinet is not level.
The door will not close properly	<ul style="list-style-type: none"> The wine cabinet is not level. The door was reversed and not properly installed. The gasket is dirty. The shelves are out of position.

If the above table has not solved the problem please contact Caple Service by phone on **0117 938 7420** or by email **service@caple.co.uk**.

DEFROSTING/CONDENSATION

Your wine cabinet is designed with an "Auto-cycle" defrost system. When the RUN cycle is OFF, the refrigerated surface of the wine cabinet (interior rear wall) defrosts automatically. The defrosted water is channelled into a drain pan which is located at the back of the cabinet next to the compressor from where it evaporates.

HUMIDITY SYSTEM

The wine cabinet is equipped with a system for maintaining the correct level of humidity. If humidity is too low, insert the small plastic reservoir on to the top shelf. Fill this reservoir 3/4 full with water. Check the water level occasionally and refill as necessary.

RECOMMENDED TEMPERATURES

RECOMMENDED STORAGE TEMPERATURES:

DRINK TYPE	RECOMMENDED TEMPERATURE
For storing all types of wines	12°C to 14°C

RECOMMENDED DRINKING TEMPERATURES:

DRINK TYPE	RECOMMENDED TEMPERATURE
Champagne NV, Sparkling	6°C
Champagne Vintage	10°C
Dry White Semillon, Sauvignon Blanc	8°C
Dry White Gewürztraminer, Riesling	10°C
Dry White Chardonnay	10°C
Vintage Chardonnay	14°C
Sweet White Sauternes Monbazillac, Late Harvest ice wine	10°C
Sweet whites vintage Sauternes	14°C
Beaujolais	13°C
Red Pinot Noir	16°C
Vintage Pinot Noir red	18°C
Red Cabernet, Merlot, French, Australian, New Zealand, Chilean, Argentinean, Italian, Spanish, Californian	18°C
Red Grenache, Syrah	16°C

NOTES:

NOTES:



Caple Service
Fourth Way
Avonmouth
Bristol
BS11 8DW

T: 0117 938 1900
E: service@caple.co.uk
www.caple.co.uk