





ANTIQUE



PRODUCT CODE

ANT4/BN

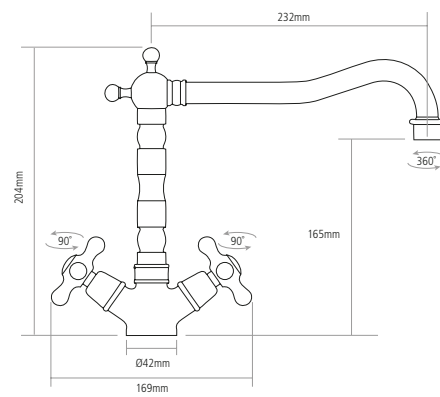
FINISH AVAILABLE

-  Brushed Nickel [shown]
-  Polished Chrome

TAP FEATURES

- Monobloc design
- Minimum 0.3 bar pressure required
- Quarter turn ceramic valve
- Single flow

← DIMENSIONS



Worktop cut out 35mm required