

---

# EXTRACTION MOTOR OPTIONS

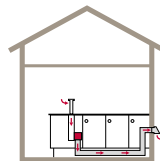
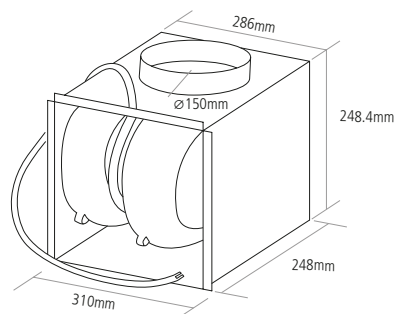
---

**PRODUCT CODE**

DDMEXT11

**FEATURES**

- Motor for use with Caple downdraft extractors only [cannot be used with Caple ceiling hoods]
- For installation in cabinet fixing directly to the downdraft body
- Aluminium die-cast construction
- Required ducting size 150mm

DDMEXT11  
WITH DOWNDRAFT

DUE TO THE POWER AND FITMENT OF OUR EXTERNAL MOTORS, RIGID DUCTING MUST BE USED.