



## PUTNEY BRIDGE

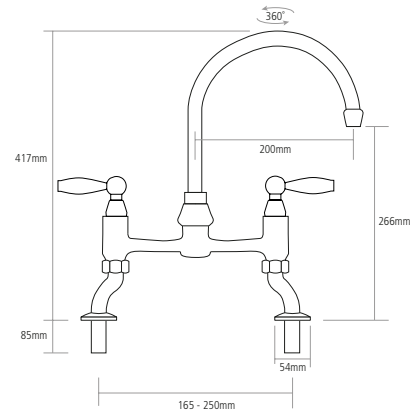
**PRODUCT CODE**  
PUT/BRI/BC

**FINISH AVAILABLE**  
■ Blackened Copper

### TAP FEATURES

- Bridge design
- Solid stainless steel with blackened copper finish
- Minimum 0.3 bar pressure required
- Quarter turn ceramic valves
- Single flow

### ← DIMENSIONS



Worktop cut out 26mm required

