



PUTNEY

PRODUCT CODE
PUT/BRI/AB

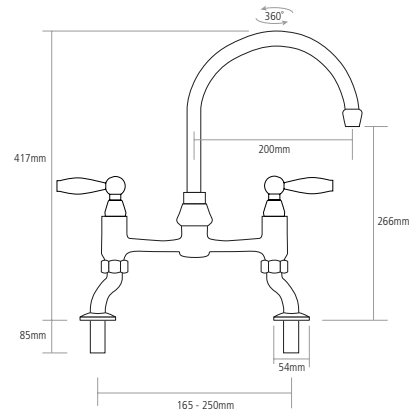
FINISH AVAILABLE
 Antique Brass

TAP FEATURES

- Bridge design
- Solid stainless steel with antique brass finish
- Minimum 0.3 bar pressure required
- Quarter turn ceramic valves
- Single flow



↔ DIMENSIONS



Worktop cut out 26mm required