



CLASSIC SIDE OPENING ELECTRIC SINGLE OVEN



PRODUCT CODE

C C2220

DIMENSIONS

w:600mm

PERFORMANCE

e Energy class A

FINISH AVAILABLE

Stainless steel with black glass

FUNCTIONS

5 Functions

- Light
- Defrost
- Fan heat
- Full grill
- Turbo grill

OVEN FEATURES

- MotionHeat+ technology
- 67 Litre capacity
- Touch control programmable electronic timer
- Reversible door
- Metal dial controls
- Easy to clean enamel interior
- Double glazed door
- Internal light
- Closed door grilling
- Easy to remove chrome shelf racks
- Full width inner door glass
- Tangential cooling fan

DESIGN

- Square bar handle
- Green LED display

ACCESSORIES

- 1 Safety-stop shelf
- 1 Grill pan and rack with handle

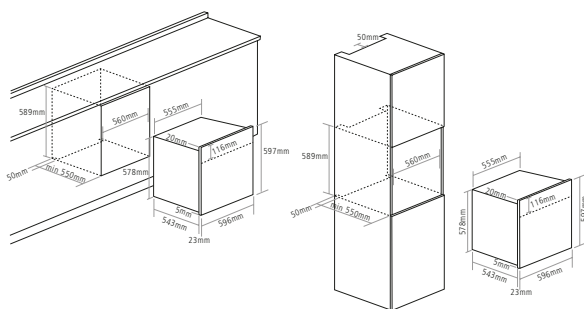
OPTIONAL EXTRAS

- 1 Wire shelf [SHELF4]
 - Pair of full extension telescopic runners [CAPRACK8]
 - 1 Pizza stone [PIZZASTONE]
 - 1 Pizza peel [PIZZAPEEL]
 - 1 Air fry tray [AIRFRY]
 - 1 Baking tray [TRAY3]
- Visit caple.co.uk for full range

INSTALLATION

- Rated load 2.34kW
- Fuse rating 13A

DIMENSIONS



Features

SIDE OPENING DOORS

The side opening door allows for easy access inside the oven cavity without having to manoeuvre around the door. This means you can get closer to the oven which is handy when cleaning

SIDE-BY-SIDE

Create a side-by-side double oven look utilising the reversible door feature.