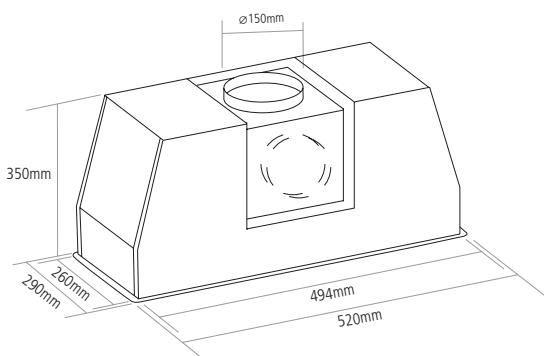




DIMENSIONS



TOUCH CONTROL BUILT-UNDER HOODS

PRODUCT CODE

TBU520

DIMENSIONS

↔ w:520mm

PERFORMANCE

e Energy class A
 Fluid Dynamic Efficiency A
 Light Efficiency A
 Grease Absorption A
 Annual Consumption
 47kWh/yr
 Max. extraction 680m³/h
 Max. noise level 63dB[A]

FEATURES

- Fold away glass panel with illuminated touch control
- 4 Speeds [inc. Boost function]
- Auto timer, switch-off after 10mins
- 6.5W white LED strip light
- Aluminium grease filter
- Ducting spigot size 150mm
- Recirculation kit available

OPTIONAL EXTRAS

- Recirculation kit [CAP78CF]
- Visit caple.co.uk for full range

FINISH AVAILABLE

■ Stainless steel