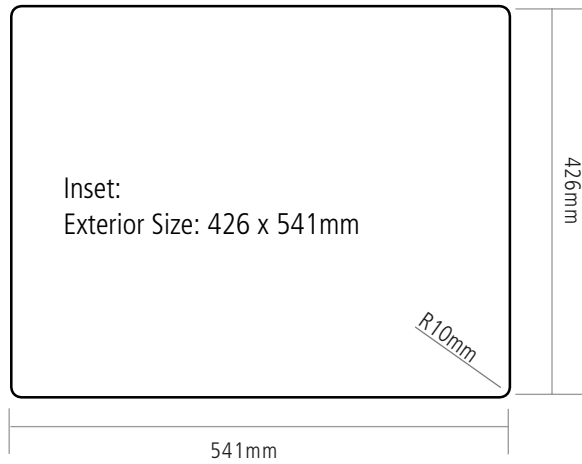


MODE3415R CO, GM, GD & BS INSTALLATION GUIDE



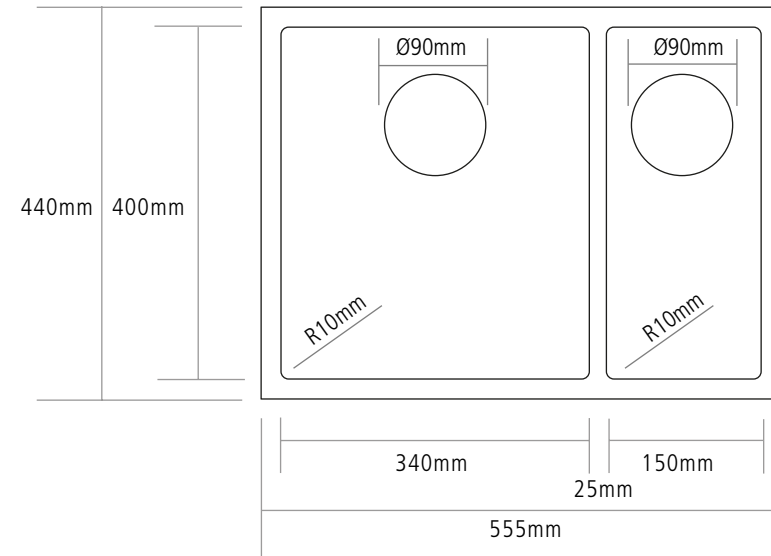
INSET INSTALLATION



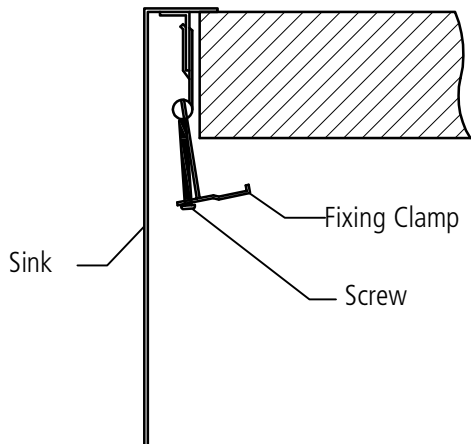
UNDERMOUNT INSTALLATION

Use sink to measure cut-out dimensions. These will vary depending on your chosen installation type.

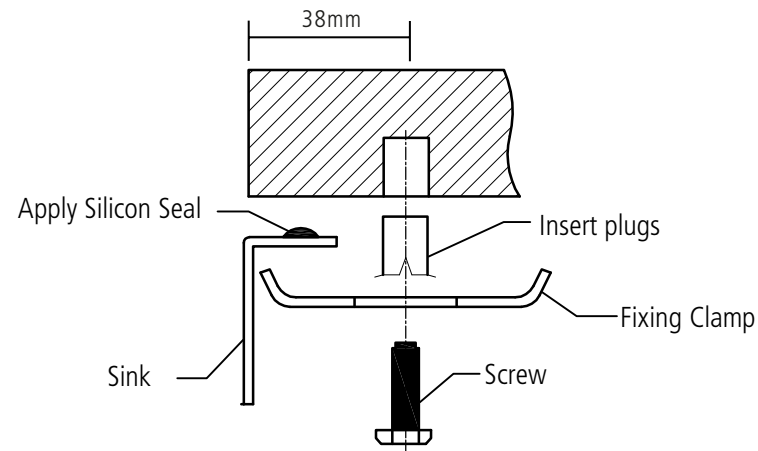
DIMENSIONS



INSET FIXING CLIPS



UNDERMOUNT FIXING CLIPS



NOTE: Please check the recommended sizes against the actual sink to achieve the most accurate cut out