



## BROOKLINE



### PRODUCT CODE

BRO/CH

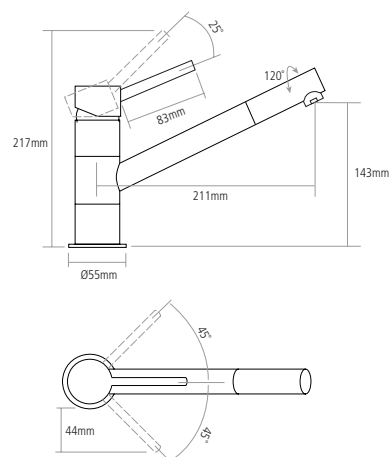
### FINISH AVAILABLE

 Polished Chrome

### TAP FEATURES

- Single lever design
- Minimum 0.3 bar pressure required
- Single lever ceramic valve
- Adjustable nozzle
- Single flow

### ↔ DIMENSIONS



Worktop cut out 35mm required