



ASPEN PULL-OUT



PRODUCT CODE

ASPS2/CH

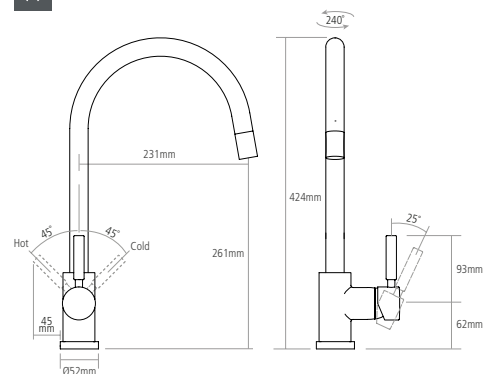
FINISH AVAILABLE

Polished chrome

GENERAL FEATURES

- Pull-out design
- Minimum 0.5 bar pressure required
- Single lever ceramic valve
- Single flow
- Extendable hose

↔ DIMENSIONS



Note: Pull-out hose extended by 650mm

Worktop cut out 35mm required