



ZERO 45 INSET OR UNDERMOUNTED



PRODUCT CODE

ZERO45

FINISH AVAILABLE



Stainless steel

FEATURES

- 1mm brushed stainless steel
- No tap facility
- 90mm waste outlet for a basket strainer waste
- Suitable for a waste disposer
- Waste and overflow included

PLUMBING OPTION

- Plumbing kit CPK100

FITTING OPTIONS



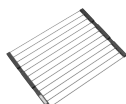
Inset

Undermounted

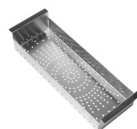
ACCESSORY OPTIONS



Basket strainer waste decorative cover
CWC2



Stainless steel foldmat
FMAT/SS



Stainless steel strainer bowl
CSB29SS

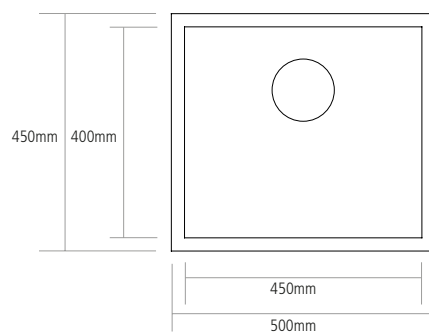


Roweca anthracite chopping board
VACB



Chrome basket
CMBB11CH

← DIMENSIONS



Bowl depth
200mm

Min. base unit
500mm

Cut-out size
450 x 400mm

For cut-out shape go to
www.caple.co.uk for template