



CLASSIC UNDERCOUNTER SINGLE ZONE WINE CABINET

PRODUCT CODE

Wi6140

DIMENSIONS

◀ w:595mm

PERFORMANCE

e Energy class A
 Energy consumption 145kWh/yr
 Ambient temperature 16°C - 32°C
 Temperature range 5°C - 18°C
 Humidity range >65%RH
 Quiet operation 43dB[A]

FINISH AVAILABLE

Stainless steel

GENERAL FEATURES

- One piece stainless steel door
- Shelves can accommodate 750ml Bordeaux, Burgundy and Champagne bottles
- No-frost compressor cooling technology maintains a consistent temperature
- Single temperature zone stores red, white or sparkling wine
- Touch controls and white LED display
- Converts into a can chiller using optional glass shelving
- UV/heat-free white LED lighting [switchable]
- Vibration free
- Adjustable height to fit 100 - 150mm plinth
- Stainless steel square handle
- Beech shelves
- Fan circulated cool air for even temperature distribution
- Reversible door
- 5 Sliding shelves and 1 base shelf
- 100% CFC/HFC free
- Toughened UV protected glass door
- Humidity control water tank
- Black cabinet interior and exterior
- Recessed for fitting furniture plinth
- Air ventilation through plinth grille
- Supplied with stainless steel universal plinth grille w:525mm

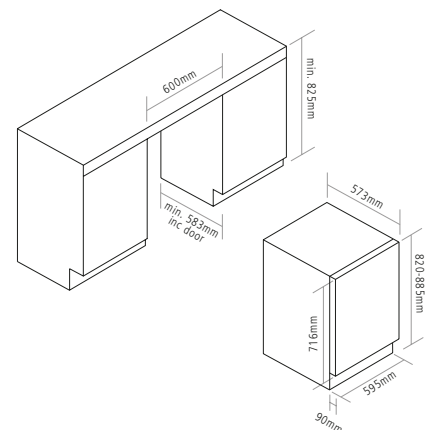
CAPACITY

- 5.15 Cu Ft/146 Litre total net capacity
- 5.79 Cu Ft/164 Litre total gross capacity
- Stores max. 52 Bordeaux style wine bottles 750ml [8 bottles per sliding shelf, 6 bottles on base shelf, 14 on top shelf]
- Bottle stacking diagrams available at caple.co.uk

OPTIONAL EXTRAS

- 6 Wine labels [WINELABEL]
- 3 Frosted glass shelves with black plastic trim [GSHELFPACK/600]
- Filler panel [FP600SS]
- Visit caple.co.uk for full range

DIMENSIONS



Features

CHAMPAGNE SHELVES

The easy-slide beech shelves are non-scratch so they won't damage bottle labels. If Champagne is your drink of choice, the slatted design allows you to store larger bottles so you're prepared for any special occasion.