



SPIRO STAINLESS STEEL PULL-OUT SPRAY



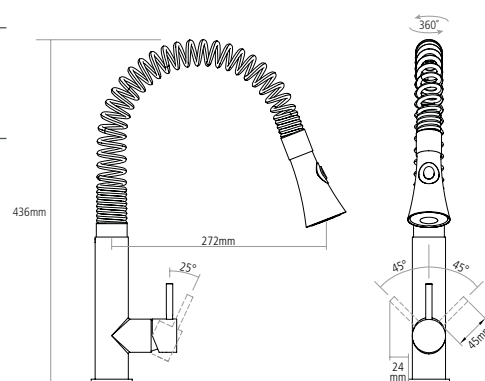
PRODUCT CODE
SPI2/SS

FINISH AVAILABLE
 Solid stainless steel

GENERAL FEATURES

- Single lever design
- Minimum 0.5 bar pressure required
- Single lever ceramic valve
- Single flow
- Push button spray head
- Grey extendable hose

↔ DIMENSIONS



Worktop cut out 35mm required

Note: Pull-out hose extended by 600mm