



## SPIRO POLISHED CHROME PULL-OUT SPRAY



**PRODUCT CODE**  
SPI/CH

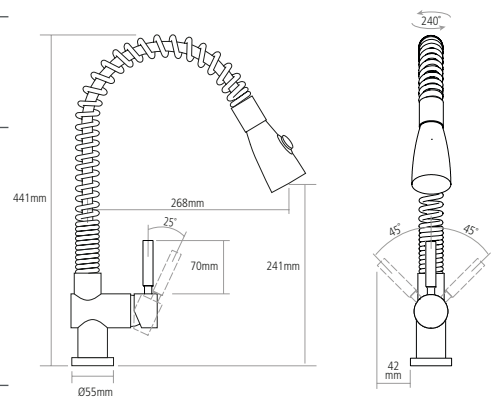
### FINISH AVAILABLE

Polished chrome

### GENERAL FEATURES

- Single lever design
- Minimum 0.5 bar pressure required
- Single lever ceramic valve
- Single flow
- Push button spray head
- Extendable hose

### ↔ DIMENSIONS



Worktop cut out 35mm required

Note: Pull-out hose extended by 410mm