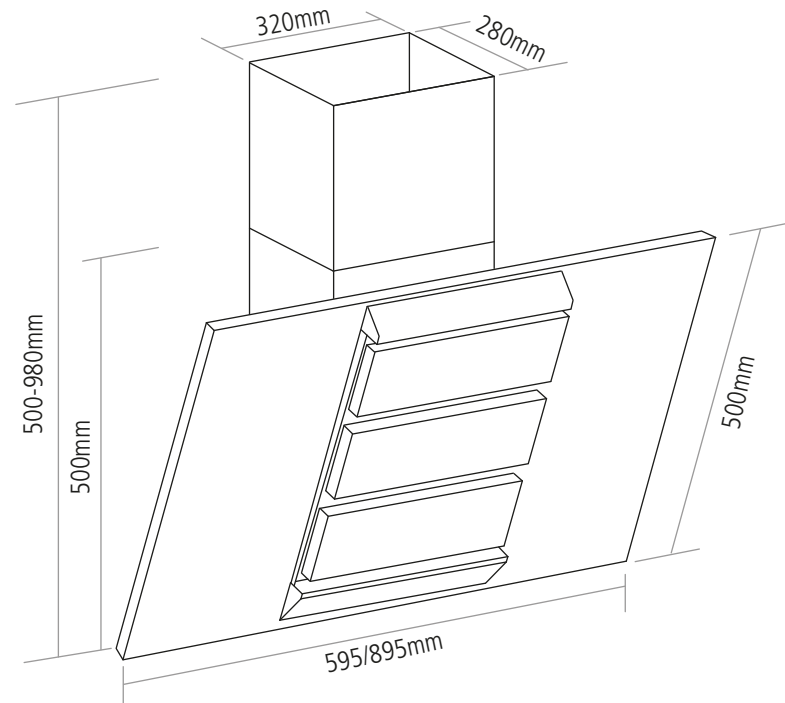


DIMENSIONS



650mm space for electric hobs and 760mm space for gas hobs required from worktop to the mesh filter behind the centre glass panel.
From the lowest point of the hood the distance required is 450mm for electric hobs and 550mm for gas hobs.