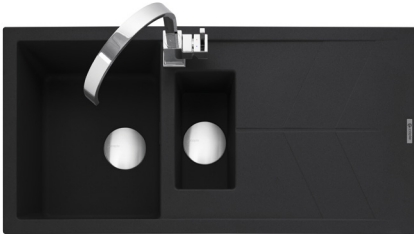




CAPLE CARE

FREE LIFETIME
GUARANTEE ON
ALL SINKS

SOTERA 150 INSET WITH DRAINER



[ANTHRACITE SHOWN]

PRODUCT CODE

SOT150AN	ANTHRACITE
SOT150DS	DESERT SAND
SOT150CW	CHALK WHITE
SOT150PG	PEBBLE GREY

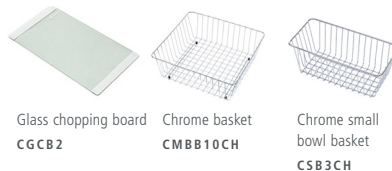
FINISH AVAILABLE

	Anthracite [metallic]
	Desert sand [matt]
	Chalk white [matt]
	Pebble grey [matt]

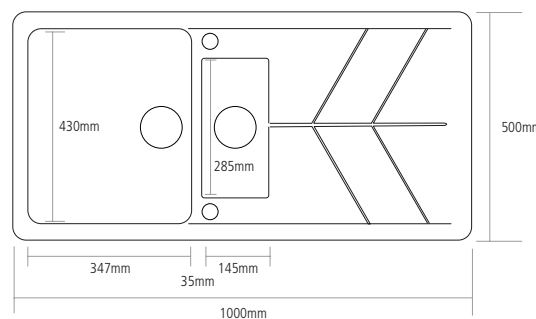
FEATURES

- Reversible
- 2 Semi-punched tap holes
- 2 90mm waste outlets for basket strainer wastes
- Suitable for a waste disposer
- Chrome waste, overflow and plumbing kit included
- Basket strainer waste decorative cover included [shown above CWC2]

ACCESSORY OPTIONS

Glass chopping board
CGCB2Chrome basket
CMBB10CHChrome small
bowl basket
CSB3CH

⇔ DIMENSIONS



BOWL DEPTH: 210MM
SMALL BOWL DEPTH: 142MM
MIN. BASE UNIT: 600MM
CUT-OUT SIZE: 980 x 480MM