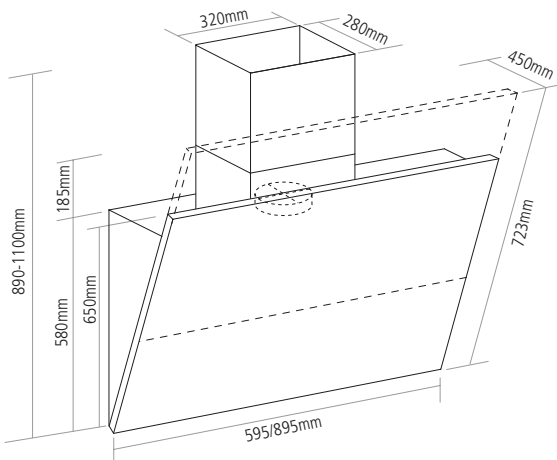




DIMENSIONS



MOTUS TOUCH WALL CHIMNEY HOODS

PRODUCT CODE

MOT912

DIMENSIONS

↔ w:900mm

PERFORMANCE

e Energy class A+
 Fluid Dynamic Efficiency A
 Light Efficiency B
 Grease Absorption D
 Annual Consumption
 46kWh/yr
 Max. extraction 757m³/h
 Max. noise level 62dB[A]

FEATURES

- Supplied with optional stainless steel flue
- Full touch controls with electronic display
- Mechanical automatic opening [dependent on speed setting]
- Perimetrical extraction for reduced noise and increased pressure resulting in improved motor performance
- 4 Speeds [inc. Boost setting]
- 10W LED strip light
- Auto timer, switch-off after 10mins
- Aluminium washable grease filters
- Required ducting size 150mm
- Recirculation kit available

FINISH AVAILABLE

■ Black glass with
 Stainless steel

OPTIONAL EXTRAS

- Recirculation kit [CAP52CF]
 Visit caple.co.uk for full range