



## MODE 40 INSET OR UNDERMOUNTED



### PRODUCT CODE

MODE040

### FINISH AVAILABLE

 Stainless steel

### FEATURES

- 1mm brushed stainless steel
- No tap facility
- 90mm waste outlet for a basket strainer waste
- Suitable for a waste disposer
- Waste and overflow included

### PLUMBING OPTION

- Plumbing kit CPK100

### FITTING OPTIONS



Inset

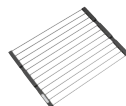


Undermounted

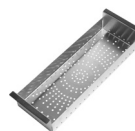
### ACCESSORY OPTIONS



Basket strainer waste decorative cover  
CWC2



Stainless steel foldmat  
FMAT/SS



Stainless steel strainer bowl  
CSB29SS

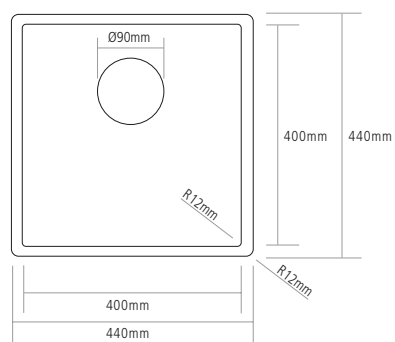


Roweca anthracite chopping board  
VACB



Chrome sink basket  
CMBB19CH

### DIMENSIONS



**BOWL DEPTH:** 200MM

**MIN. BASE UNIT:** 450MM

**INSET CUT-OUT SIZE:** 424 X 424MM

**NOTE:** For cut-out shape go to [www.caple.co.uk](http://www.caple.co.uk) for template