





## LEVEL



## PRODUCT CODE

LEV3/CH

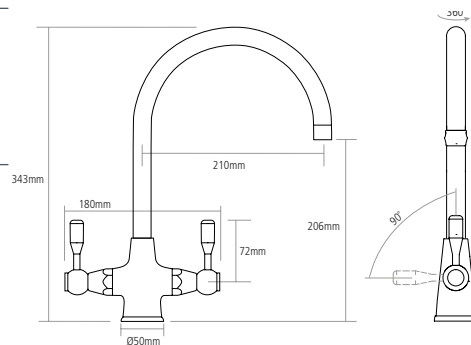
## FINISH AVAILABLE

-  Brushed Nickel
-  Polished Chrome [shown]

## TAP FEATURES

- Monobloc design
- Minimum 0.5 bar pressure required
- Quarter turn ceramic valve
- Single flow

## ↔ DIMENSIONS



Worktop cut out 35mm required