



## LAYTON PURITI



### PRODUCT CODE

LAYPUR2/SS

### FINISH AVAILABLE

 Stainless Steel

### TAP FEATURES

- Single lever design
- Minimum 0.5 bar pressure required
- Quarter turn ceramic valve
- Single flow for hot and cold water
- Separate filtered supply [filter included]

### OPTIONAL EXTRAS

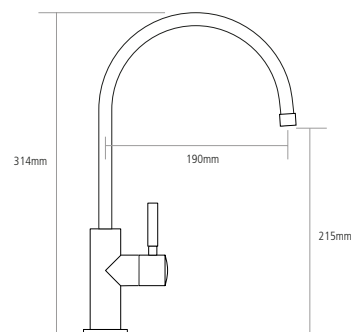
- PURITI1 Replacement filter
- Available to buy online [www.caple.co.uk](http://www.caple.co.uk)

## Features

### CAPLE PURITI

Caple Puriti taps deliver regular hot and cold water with the added benefit of fresh filtered water, which is either dispensed using a third lever or fully integrated into the standard design. The filtration system is hidden from sight in the kitchen unit, and by turning the filtration tap, your normal cold water supply is diverted via the Caple filter to the tap and in to your glass.

### ↔ DIMENSIONS



Worktop cut out 20mm required