



## KONTRO



**PRODUCT CODE**  
KON3/CH

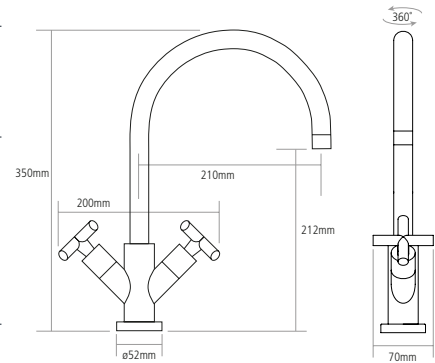
### FINISH AVAILABLE

 Polished Chrome

### TAP FEATURES

- Monobloc design
- Minimum 0.3 bar pressure required
- Quarter turn ceramic valves
- Single flow

### ↔ DIMENSIONS



Worktop cut out 35mm required