



KARNS



PRODUCT CODE

KAR/GM

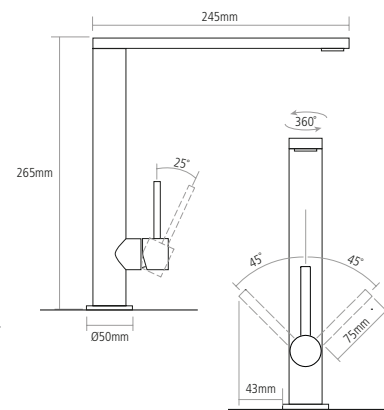
FINISH AVAILABLE

-  Black Steel
-  Chromite Black
-  Copper
-  Gold
-  Gunmetal [shown]
-  Stainless Steel

TAP FEATURES

- Solid stainless steel with gunmetal finish
- Single lever design
- Minimum 0.5 bar pressure required
- Single lever ceramic valve
- Single flow

↔ DIMENSIONS



Worktop cut out 35mm required