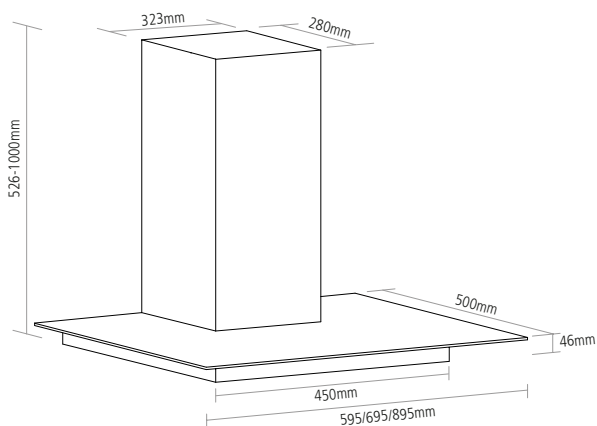




DIMENSIONS



WALL CHIMNEY HOODS

PRODUCT CODE

FGC920

DIMENSIONS

↔ w:895mm

PERFORMANCE

e

Energy class D

Fluid Dynamic Efficiency D

Light Efficiency B

Grease Absorption C

Annual Consumption

95kWh/yr

Max. extraction 580m³/h

Max. noise level 68dB[A]

FEATURES

- Push button controls
- 3 Speeds
- 2 x 1.5W high intensity LED lights
- Aluminium grease filter
- Required ducting size 150mm
- Supplied with 2m length of semi-rigid ducting
- Recirculation kit available

OPTIONAL EXTRAS

- Recirculation kit [CAP61CF]
- Visit caple.co.uk for full range

FINISH AVAILABLE

- Stainless steel with flat clear glass

Features

FUNCTION & POWER

This model has a powerful maximum extraction rate of 580m³/h, perfect if you're looking for style, functionality and raw power.

