



DANVERS



PRODUCT CODE

DAN/CH

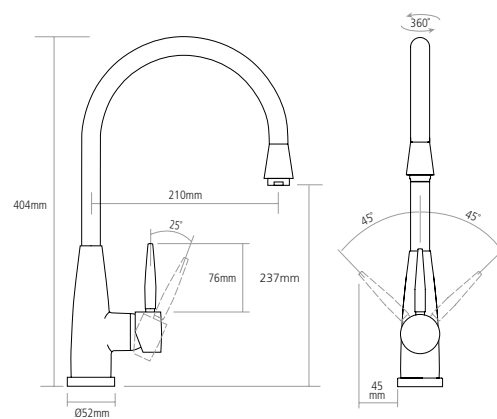
FINISH AVAILABLE

 Polished chrome

GENERAL FEATURES

- Single lever design
- Minimum 0.1 bar pressure required
- Single lever ceramic valve
- Single flow

← DIMENSIONS



Worktop cut out 35mm required