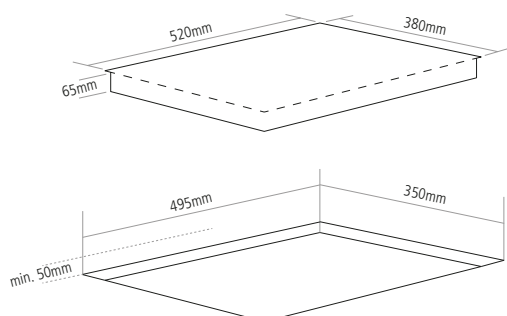




GAS-ON-GLASS MODULAR HOB



DIMENSIONS



PRODUCT CODE

C993G

DIMENSIONS

↔ w:380mm

FINISH AVAILABLE

■ Black glass

FEATURES

- Polished aluminium trim
- Flame safety device
- Cast iron pan support
- Auto electronic ignition
- LPG jets included

COOKING OUTPUT

2 Gas Burners

- 1 Rapid burner: 3kW
- 1 Semi-rapid burner: 1.75kW

INSTALLATION

- Fuse rating 3A