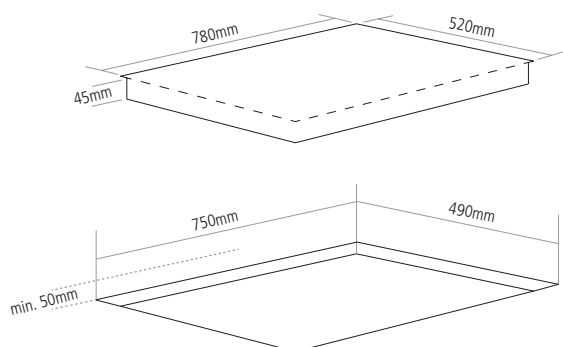




## ELECTRIC CERAMIC HOBS



### DIMENSIONS



### PRODUCT CODE

C824C

### DIMENSIONS

↔ w:780mm

### FINISH AVAILABLE

■ Black glass

### FEATURES

- Frameless
- Can be flush mounted
- Touch control
- 10 Level digital power display [0-9 + keep warm]
- 4 Quick heat boosters
- Programmable timer for each zone [up to 99mins] to set finish time
- Minute timer
- A timer for each cooking zone
- Residual heat indicators
- Child safety lock
- Overflow protection
- Automatic safety shut-off

### COOKING OUTPUT

#### 4 Ceramic Plates

- 1 dia. 135mm/210mm – 1.0kW - 2.2kW
- 1 dia. 110mm/180mm – 0.7kW - 1.7kW
- 2 dia. 145mm – 1.2kW

### INSTALLATION

- Rated load 6.3kW
- Fuse rating 25A