



AVEL 4



PRODUCT CODE

AVE4/BN

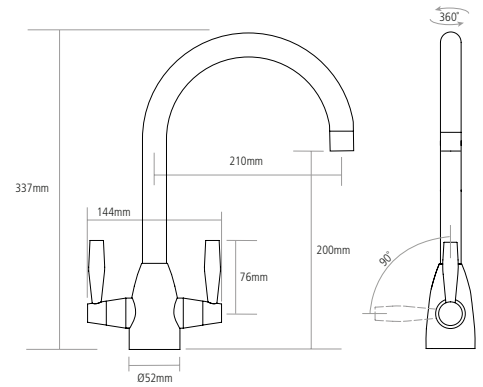
FINISH AVAILABLE

-  Blackened Copper
-  Brushed Nickel [shown]
-  Polished Chrome

TAP FEATURES

- Monobloc design
- Minimum 0.3 bar pressure required
- Quarter turn ceramic valve
- Single flow
- WRAS approved

↔ DIMENSIONS



Worktop cut out 35mm required