



ATLANTA



Stainless
STEEL

PRODUCT CODE

ATL/SS

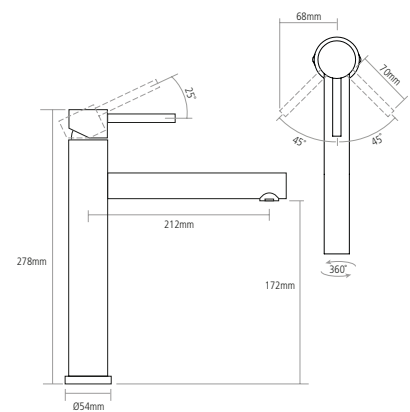
FINISH AVAILABLE

 Solid stainless steel

GENERAL FEATURES

- Single lever design
- Seamless body with 360° pivot at the base
- Minimum 0.5 bar pressure required
- Single lever ceramic valve
- Single flow

↔ DIMENSIONS



Worktop cut out 35mm required

Features

360° PIVOT

Seamless body with 360° pivot at the base

